

Form 19571

(241)

Printed in U. S. A.

LIST OF PARTS



MACHINES
Nos. 146-31, 146-33
and 146-71

** A TRADE-MARK OF

THE SINGER MANUFACTURING COMPANY

INSTRUCTIONS FOR OILING

To ensure easy running and prevent unnecessary wear of the parts which are in movable contact, the machine requires oiling and when in continuous use, "TYPE B" or "TYPE D" OIL, sold only by Singer Sewing Machine Company, should be applied at least twice each day to all oil holes marked "OIL", as instructed in Form 20436.

"TYPE D" OIL is stainless.

Copyright, U. S. A., 1938, 1939 and 1941
by The Singer Manufacturing Co.
All Rights Reserved for all Countries

INDEX

	Page
Accessories.....	23
Fittings for Single Thread Chain Stitch.....	23
Machine No. 146-31.....	14
Machine No. 146-33.....	17
Machine No. 146-71.....	5
Numerical List of Parts.....	27
Obsolete Parts.....	26
Replacement Parts for Machine Balancer No. 137157.....	19
Thread Unwinder.....	24

INSTRUCTIONS FOR ORDERING

In ordering from this list, use ONLY the part NUMBER in the FIRST column.

The number stamped on a Sewing Machine Part is in every case the number of the single part only.

Every combination of parts sent out as such has its specific number, which, although not stamped on the parts, must be used when ordering the combination.

Each number always indicates the SAME PART in whatever list it appears, or for whatever machine.

The letters after some of the numbers indicate the style of finish only, as follows:

- A-Hardened, Polished, Nickel Plated and Buffed
- A.A-Buffed and Chromium Plated
- A.B-Hardened, Polished, Buffed and Chromium Plated
- A.C-Brown Baking Enamel Finish
- A.D-Gray Baking Enamel Finish
- A.E-Hardened, Bright Rumbled and Nickel Plated
- A.F-Hardened, Bright Rumbled, Nickel Plated, Bright Rumbled and Chromium Plated
- B-Polished, Nickel Plated and Buffed
- C-Hardened Only
- C.R-Hardened and Merlized
- D-Polished Only
- E-Soft, Not Polished
- F-Hardened and Polished
- F.J-Hardened, Polished and Nickel Plated
- G-Bright Rumbled and Nickel Plated
- H-Blued
- J-Nickel Plated Only
- K-Hardened and Nickel Plated
- L-Brass Plated
- M-Oxidized
- N-Japanned, Dull
- P-Japanned, Bright
- P.P-Wrinkle Finish
- R-Merlized
- S-Cadmium Plated
- T-Copper Plated
- T.A-Hardened, Polished, Copper and Nickel Plated and Buffed
- T.B-Copper and Nickel Plated and Polished
- T.J-Copper and Nickel Plated Only
- T.K-Hardened, Copper and Nickel Plated
- T.L-Copper and Brass Plated
- T.M-Copper Plated and Oxidized
- U-Zinc Plated
- V-Silver Plated
- W-Polished and Nickel Plated
- X-Black Oxide, for Iron and Steel
- X.C-Hardened and Black Oxide, for Iron or Steel
- Y-Black Nickel Plated Only
- Z-Chromium Plated
- Z.A-Hardened, Polished, Nickel Plated, Buffed and Chromium Plated
- Z.B-Polished, Nickel Plated, Buffed and Chromium Plated
- Z.C-Hardened and Chromium Plated
- Z.D-Polished and Chromium Plated
- Z.G-Bright Rumbled, Nickel Plated, Bright Rumbled and Chromium Plated
- Z.J-Nickel and Chromium Plated
- Z.T-Copper and Chromium Plated

These letters MUST BE USED when they appear in the list; and AFTER the number as in the list.

In this series:

- 1 to 1500, 50001 to 51500 and 140001 to 142000 are Screw Numbers
- 1501 to 1800 and 51501 to 51800 are Nut Numbers
- 1801 to 2000 and 51801 to 52000 are Roller Numbers
- 2001 to 50000 and 52001 to 140000 and 142001 to 190000 are Sewing Machine Parts, 190001 and upward are numbers of Electrical Parts.

The figures in the second column refer only to the plates, illustrating the parts, and are NOT TO BE USED in ordering.

Parts marked with an asterisk (*) are furnished only when repairs are made at factory.

LIST OF PARTS COMPLETE
FOR

MACHINE No. 146-71

MACHINE HEAD ONLY.

For Medium and Medium Heavy Weight Bags. Length of
stitch 3 to 6 to the inch. Clearance under presser foot $\frac{7}{16}$ inch.

No.	Plate	Name
*137003	-----	Arm, upper and lower (solid) with 15404 and two 15405.....
137004	21534	Arm Back Cover.....
1095F	21534	" " " Screw.....
51333J	21534	" Oil Plug Screw.....
137005	21534	" " Tube, for oiling Arm Rock Shaft Intermediate Bearing.....
137006	21534	Arm Oil Tube, for oiling Arm Rock Shaft Front Bearing.....
137010	21535	Arm Oil Tube, for oiling Arm Rotary Shaft Intermediate Bearing.....
137141	21534	Arm Oil Tube 137005 with 137142.....
137143	21534	" " " 137006 with 137142.....
137011	21535	" " " Extension.....
137144	-----	" " " " 137011 with 137145
137145	21535	" " " " Oil Cup for 137144, 137146 and 137151 (3).....
137142	21534	Arm Oil Tube Oil Cup for 137141 and 137143 (2).....
137012	21534	Arm Rock Shaft with 624AL.....
137013	-----	" " " 137012 with 130875.....
130708	-----	" " " Bushing (back).....
130709	21534	" " " " " 130708 with 130911.....
130911	21534	Arm Rock Shaft Bushing (back) Oil Wick (braided cotton).....
443AL	21534	Arm Rock Shaft Bushing (back) Set Screw.
130907	-----	" " " " (intermediate)...
130908	21534	" " " " " " 130907 with 130912.....

PARTS FOR MACHINE No. 146-71

No.	Plate	Name
130912	21534	Arm Rock Shaft Bushing (intermediate) Oil Wick (braided cotton).....
430C	21534	Arm Rock Shaft Bushing (intermediate) Set Screw.....
*137014	-----	Arm Rock Shaft Crank, back (ball bearing, solid) with 1396E.....
137015	21534	Arm Rock Shaft Crank (back) 137014 with 131089 and 137016.....
1396E	21534	Arm Rock Shaft Crank Clamping Screw.....
137016	21534	" " " " Oil Plug (brass)...
131089	21534	" " " " " Wick (wick)....
40025	21534	" " " " Pin.....
130909	-----	" " " Flanged Bushing (front)..
130910	21534	" " " " " " "
		130909 with 130912.....
130912	21534	Arm Rock Shaft Flanged Bushing (front) Oil Wick (braided cotton).....
443AL	21534	Arm Rock Shaft Flanged Bushing (front) Set Screw.....
137017	21534	Arm Rock Shaft Oil Wick (braided cotton)
137018	21535	" Rotary Shaft.....
137019	-----	" " " 137018 with 137028....
*137020	-----	" " " Bushing (front).....
137021	21535	" " " " " 137020 with 130713.....
137022	21535	Arm Rotary Shaft Bushing (front) Oil Plug.....
130713	21535	Arm Rotary Shaft Bushing (front) Oil Wick (braided cotton).....
430C	21535	Arm Rotary Shaft Bushing (front) Set Screw.....
*137023	-----	Arm Rotary Shaft Bushing (intermediate).
137024	21535	" " " " " "
		137023 with 130713.....
130713	21535	Arm Rotary Shaft Bushing (intermediate) Oil Wick (braided cotton).....
448AL	21535	Arm Rotary Shaft Bushing (intermediate) Set Screw.....
137025	-----	Arm Rotary Shaft Flanged Bushing (back).
137026	21535	" " " " " " "
		137025 with 137027.....
137027	21535	Arm Rotary Shaft Flanged Bushing (back) Oil Wick (braided cotton).....
159F	21535	Arm Rotary Shaft Flanged Bushing (back) Screw (3).....
137028	21535	Arm Rotary Shaft Oil Sling with 137029..
137029	21535	" " " " " Oil Tube.....
144D	21535	" " " Screw.....
137030	21536	" Side Cover.....
176J	21536	" " " Screw (lower).....

No.	Plate	Name
190J	21536	Arm Side Cover Screw (upper).....
137031	21535	Balance Wheel and Pulley (tight) 2 7/8 in. diam., with two 430C.....
430C	21535	Balance Wheel and Pulley (tight) Set Screw (2).....
17679	21535	Balance Wheel and Pulley (tight) Washer.
145013	21536	Cloth Plate.....
145014	21536	Cloth Plate complete, Nos. 49054, 58002, 137064, 145013 and two 226J.....
50085F	21536	Cloth Plate Screw (back).....
966E	21536	" " " (front).....
137034	21535	Crank Connecting Rod with two each 145E and 896AL.....
137093	-----	Crank Connecting Rod 137034 with 137015.
145E	21535	" " " Cap (lower) Screw (2).....
896AL	21535	Crank Connecting Rod Cap (upper) Screw (2).....
130737	21536	Face Plate.....
193F	21536	" " Screw (3).....
137037	21537	Feed Bar with 457AL.....
130738	21537	" " Hinge Pin.....
457AL	21537	" " " " Set Screw.....
137038	21535	" Connecting Rod with 137091 and two 896AL.....
896AL	21535	Feed Connecting Rod Cap Screw (2).....
137040	21535	" " " Oil Tube.....
137146	-----	" " " " " 137040 with 137145.....
52150	21535	Feed Connecting Rod Oil Tube Oil Wick (braided cotton).....
137091	21535	Feed Connecting Rod Oil Wick.....
137078	21541	" Dog, 10 teeth (10 teeth to the inch) for 137085.....
172C	21541	Feed Dog Screw.....
137042	21535	" Eccentric with two 1036AL.....
1036AL	21535	" " Set Screw (2).....
137043	21535	" Lifting Cam with two 1036AL.....
130834	21537	" " " Connection with 457AL and two 175E.....
175E	21537	Feed Lifting Cam Connection Cap Screw (2).....
130836	21537	Feed Lifting Cam Connection Hinge Pin...
457AL	21537	" " " " " " Set Screw.....
1036AL	21535	Feed Lifting Cam Set Screw (2).....
50086C	21537	" Regulating Screw Stud.....
1714C	21537	" " " " Nut.....
49031	21537	" " " " Sleeve.....
49032	21537	" " " " Washer.....

No.	Plate	Name
137044	21537	Feed Regulator with two 11-77E.....
1177E	21537	" " Clamping Screw (2).....
137045	21537	" Rocking Frame.....
137046	-----	" " " 137045 with 137044...
137047	21537	" " " Hinge Pin.....
137048	-----	" " " " " 137047 with 1508J.....
1508J	21537	Feed Rocking Frame Hinge Pin Nut.....
51416C	21537	" " " " " Screw Bush- ing.....
1508J	21537	Feed Rocking Frame Hinge Pin Screw Bush- ing Nut.....
27398	21537	Feed Rocking Frame Washer (2).....
130839	21541	Looper, for double thread (heavy thread)
137050	21541	" " " " (light thread)
Note: No. 137050 is sent with this machine unless otherwise stated on order.		
137051	21537	Looper Bell Crank with 51408AL.....
137052	21535	" " " Ball Stud.....
51408AL	21537	" " " " " Set Screw...
137053	21535	" " " Connection with two each 127E and 171AL.....
137054	-----	Looper Bell Crank Connection 137053 with 175E, 137052 and 137057.....
137092	-----	Looper Bell Crank Connection 137054 with 137058.....
127E	21535	Looper Bell Crank Connection Cap (large) Screw (2).....
171AL	21535	Looper Bell Crank Connection Cap (small) Screw (2).....
137057	21535	Looper Bell Crank Connection Guide.....
175E	-----	" " " " " Screw
137058	21535	" " " Eccentric with two 1036AL.....
137059	21535	Looper Bell Crank Eccentric Oil Sling...
137060	21535	" " " " " " Oil Tube.....
137011	21535	Looper Bell Crank Eccentric Oil Sling Oil Tube Extension.....
52150	21535	Looper Bell Crank Eccentric Oil Sling Oil Tube Oil Wick (braided cotton)..
1036AL	21535	Looper Bell Crank Eccentric Set Screw (2).....
137061	21537	Looper Bell Crank Hinge Stud.....
137062	21537	" " " " " Oil Tube...
137147	-----	" " " " " " "
		137062 with 137148.....
137148	21537	Looper Bell Crank Hinge Stud Oil Tube Oil Cup.....
448AL	21537	Looper Bell Crank Hinge Stud Set Screw..

No.	Plate	Name
130756	21537	Looper Carrier with 130760 and three 1147AL.....
130757	21537	Looper Carrier Connection with four 175E
130873	-----	" " " 130757 with 130956 and 130970.....
130970	21537	Looper Carrier Connection Ball Screw Stud (right).....
1518J	21537	Looper Carrier Connection Ball Screw Stud (right) Nut.....
49043	21537	Looper Carrier Connection Ball Screw Stud (right) Washer (fibre).....
130956	21537	Looper Carrier Connection Ball Stud (left).....
1147AL	21537	Looper Carrier Connection Ball Stud (left) Set Screw.....
49043	21537	Looper Carrier Connection Ball Stud (left) Washer (fibre).....
175E	21537	Looper Carrier Connection Cap (left) Screw (2).....
175E	21537	Looper Carrier Connection Cap (right) Screw (2).....
130759	21537	Looper Carrier Hinge Stud.....
49166	21537	" " " " Collar with two 202F.....
202F	21537	Looper Carrier Hinge Stud Collar Set Screw (2).....
896AL	21537	Looper Carrier Hinge Stud Set Screw.....
130760	21537	" " Oil Wick (braided cotton)
137063	21535	" " Rock Shaft.....
130762	21535	" " " " Crank (back) forked, with 51313AL.....
51313AL	21535	Looper Carrier Rock Shaft Crank (back) Position Screw.....
49049	21535	Looper Carrier Rock Shaft Crank (back) Slide Block.....
130763	21537	Looper Carrier Rock Shaft Crank (front) with 896AL and two 157E.....
157E	21537	Looper Carrier Rock Shaft Crank (front) Clamping Screw (2).....
137064	21536	Looper Gate with 735AL.....
58002	21536	" " Hinge Pin.....
735AL	21536	" " " " Set Screw.....
49054	21536	" " Lock Spring.....
226J	21536	" " " " Screw (2).....
1147AL	21537	" Set Screw (2).....
137065	21535	" and Thread (under) Take-up Eccentric.....
137066	21535	Looper and Thread (under) Take-up Eccentric Locating Pin.....
130841	21538	Needle Bar (hollow).....

No.	Plate	Name
130842	21538	Needle Bar Bushing (lower).....
435AL	21538	" " " " Set Screw....
137067	21538	" " " (upper).....
1133AL	21538	" " " " Set Screw....
130769	21534	" " Connecting Link.....
130875	-----	" " " " 130769 with 130844.....
624AL	21534	Needle Bar Connecting Link Hinge Pin Set Screw.....
130844	21538	Needle Bar Connecting Stud with 1454E...
1454E	21538	" " " " Clamping Screw
1753C	21538	" Clamping Nut.....
137068	21541	" Guard.....
389F	21541	" " Screw.....
137149	21535	Oil Reservoir.....
137150	21535	" " Oil Tube.....
137151	21535	Oil Reservoir complete, for oiling Arm Rotary Shaft Back Bearing, Nos. 137145, 137149 and 137150.....
130799	21538	Presser Bar.....
130800	21538	" " Bushing (lower).....
435AL	21538	" " " " Set Screw...
49061	21538	" " " (upper).....
1133AL	21538	" " " " Set Screw...
137152	21538	" " Lifter.....
212D	21538	" " " Cap Screw.....
49064	21538	" " " Hinge Stud.....
448AL	21538	" " " " " Set Screw
130801	21538	" " Lifting Bracket with 453AL and 892F.....
892F	21538	Presser Bar Lifting Bracket Adjusting Screw.....
453AL	21538	Presser Bar Lifting Bracket Set Screw...
58048	21538	" " " Link.....
212D	21538	" " " " Cap Screw.....
1253C	21538	" " " " Hinge Screw....
58049	21538	" " " " Spring.....
1241E	21538	" " " " " Screw Stud.....
49067	21539	Presser Bar Spring (flat).....
38468	21539	" " " Stud.....
137079	21541	" Foot Compensating Plate.....
226J	21541	" " " " Screw...
18200	21541	" " " " Spring..
137080	21541	" " Finger Guard.....
207J	21541	" " " " Screw.....
137081	21541	" " Hinge Pin.....
137082	21541	" " Plate.....
137083	21541	" " Shank.....

No.	Plate	Name
137084	21541	Presser Foot (compensating, hinged) complete, for three to six stitches to the inch, Nos. 207J, 226J, 18200 and 137079 to 137083.....
176J	21541	Presser Foot Screw.....
574W	21539	Pressure Regulating Thumb Screw.....
1539W	21539	" " " " Lock Nut
137131	21535	Pulley (loose) 2 7/8 in. diam., with 200584D.....
137132	-----	Pulley (loose) 137131 with 68714.....
137137	-----	" " 137132 with 137135.....
68714	21535	" " Ball Bearing.....
200584D	21535	" " Oil Plug Screw.....
137135	21535	" " Spacing Collar.....
137134	21535	Pulleys (ball bearing) complete, Nos. 137031 and 137137.....
130959	21539	Slack Thread Controller.....
1095F	21539	" " " Screw.....
2102	21539	Tension (under thread) Disc (2).....
51570C	21539	" " " Regulating Thumb Nut.....
50326C	21539	Tension (under thread) Screw Stud.....
59539	-----	" " " " " 50326C with 51570C.....
59534	21539	Tension (under thread) Spring.....
59537	21539	" " " " Bushing (large).....
59538	21539	Tension (under thread) Spring Bushing (small).....
32572	21539	Tension (under thread) Spring Washer....
130807	21539	" " " Thread Guide.....
50530K	21539	" (upper thread, automatic) Body..
15770	21539	" " " " Cap...
130808	21534	" " " " Releasing Cam with 1036AL.....
1036AL	21534	Tension (upper thread, automatic) Releasing Cam Set Screw.....
138849	21539	Tension (upper thread, automatic) Releasing Pin.....
9540	21539	Tension (upper thread, automatic) Spring
848F	21539	" " " " Stud..
9541	21539	" " " " " " Plug (micarda).....
34527	21539	Tension (upper thread, automatic) complete, Nos. 848F, 9540, 9541, 15770 and 50530K.....
130849	21539	Tension (upper thread, automatic) Thread Guide.....
190J	21539	Tension (upper thread, automatic) Thread Guide Screw.....

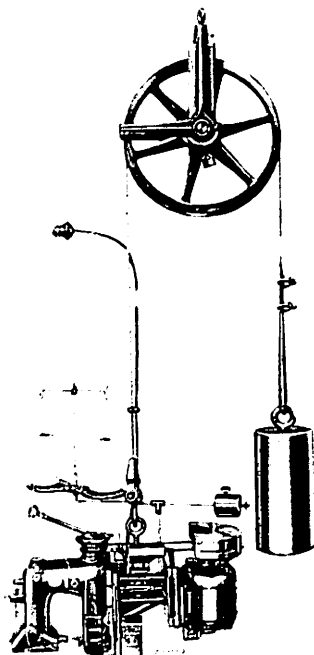
PARTS FOR MACHINE No. 146-71

No.	Plate	Name
2102	21539	Tension (upper thread) Disc (2).....
51570C	21539	" " " Regulating Thumb Nut.....
50326C	21539	Tension (upper thread) Screw Stud.....
59539	-----	" " " " " 50326C with 51570C.....
59534	21539	Tension (upper thread) Spring.....
59537	21539	" " " " Bushing (large).....
59538	21539	Tension (upper thread) Spring Bushing (small).....
32572	21539	Tension (upper thread) Spring Washer....
130850	21539	" " " Thread Guide....
137072	21535	Thread (under) Take-up.....
130862	21535	" " " Connection (forked) with two 1057AL.....
1057AL	21535	Thread (under) Take-up Connection Cap Screw (2).....
130864	21535	Thread (under) Take-up Connection Slide Block.....
190J	21535	Thread (under) Take-up Screw.....
130811	21535	" " " Thread Guide.....
175J	21535	" " " " " Screw (2).....
130812	21539	Thread (under) Thread Guide (back of arm).....
1423J	21539	Thread (under) Thread Guide Screw.....
137073	21539	" (upper) Controller.....
690D	21539	" " " Screw.....
42290	21539	" " " " Washer..
130854	21539	" " " Thread Eyelet.
1708J	21539	" " " " "
		Lock Nut.....
137153	21538	Thread (upper) Take-up with 457AL, 1019AL and 137154.....
457AL	21538	Thread (upper) Take-up Set Screw.....
137154	21538	" " " Thread Eyelet Bushing.....
1019AL	21538	Thread (upper) Take-up Thread Eyelet Bushing Set Screw.....
58010	21540	Thread Chain Cutting Blade (inside) with 1933.....
58011	21540	Thread Chain Cutting Blade (outside) with 1933.....
58014	21540	Thread Chain Cutting Blade Actuating Plate.....
172C	21540	Thread Chain Cutting Blade Actuating Plate Screw.....
50247C	21540	Thread Chain Cutting Blade Hinge Screw..
1732J	21540	" " " " " " Nut

No.	Plate	Name
1933	21540	Thread Chain Cutting Blade Roller and Stud (2).....
17622	21540	Thread Chain Cutting Blade Spring.....
137074	21540	" " " Lever.....
137075	21540	" " " " Extension....
137086	21540	" " " " " for 137087.....
137087	21540	Thread Chain Cutting Lever Extension 137086 with 13375, for hand operation.....
13375	21540	Thread Chain Cutting Lever Extension Handle.....
172J	21540	Thread Chain Cutting Lever Extension Screw (large).....
50152J	21540	Thread Chain Cutting Lever Extension Screw (small).....
137076	21540	Thread Chain Cutting Lever Hinge Stud...
443AL	21540	" " " " " " " Set Screw.....
19510	21540	Thread Chain Cutting Lever Spring.....
145016	21541	Throat Plate, for double thread chain stitch for 137078, for three to six stitches to the inch.....
691F	21541	Throat Plate Screw (2).....
*15404	-----	Trade Mark.....
15405	-----	" " Rivet (2).....

SINGER Needles should be used
in SINGER Machines.
These Needles and their Containers
are marked with the
Company's Trade-Mark "SIMANCO.**" 1

Needles in Containers marked
"FOR SINGER MACHINES"
are NOT **SINGER** made needles. 2



MACHINE No. 146-31

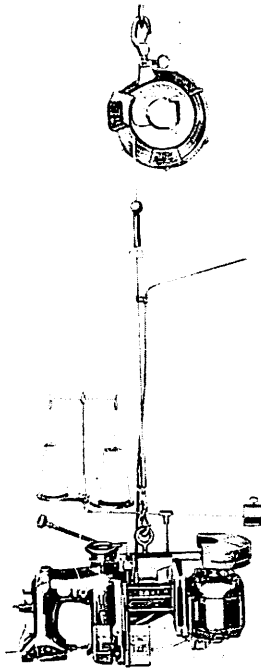
For Overhead Suspension. Machine Head 146-71 and Series 38, $\frac{1}{4}$ H.P. Dust-Proof Electric Transmitter Motor with a Dust-Proof Switch, bolted to a bracket suspended by a cable with counterbalance at opposite end and a sheave for ceiling suspension. For sewing bags of any height.

NOTE: ORDER MUST STATE THE NUMBER OF THE MOTOR REQUIRED SO THAT CORRECT VOLTAGE, CYCLES AND PHASE CAN BE FURNISHED.

No.	Plate	Name
46657	-----	Machine Belt, $\frac{1}{4}$ in. diam., 36 $\frac{1}{2}$ in. long, with 25128.....
137123	21544	Machine Belt Guard.....

No.	Plate	Name
333R	21544	Machine Belt Guard Screw (2).....
25128	-----	" " Hook.....
41441	21544	" " Shifter Belt Guide Pin (2)
882AL	21544	" " " " " " Set Screw (2).....
124259	21544	Machine Belt Shifter Bracket with 858AL and two 882AL.....
54640	21544	Machine Belt Shifter Bracket Hinge Stud.
443AL	21544	" " " " " " " Set Screw.....
124260	21544	Machine Belt Shifter Bracket Spring.....
124261	21544	" " " " " " Posi- tion Pin.....
554C	21544	Machine Belt Shifter Bracket Spring Screw Eyelet.....
124282	21544	Machine Belt Shifter Handle.....
858AL	21544	" " " " " Set Screw...
137105	21544	" Bracket with 435AL, 443AL and 50422C.....
137126	21544	Machine Bracket 137105 with 554C, 1178E, 1672R, 1795R, 9082, 20437, 50492R, 50706R, 51617R, 54640, 124259 to 124261, 124282, 124293, 137107, 137109, 137123, 137125 two each 333R, 41441, 50671R and four 731R.....
137107	21544	Machine Bracket Handle.....
435AL	21544	" " " " " Set Screw.....
731R	21544	" " " " " Motor Screw (4).....
126573	21544	" Brake (thermoid).....
137108	21544	" " Bracket.....
137109	21544	" " " " 137108 with 126573 and two 27878.....
1178E	21544	Machine Brake Bracket Screw.....
20437	21544	" " " " " Washer.....
27878	21544	" " " " " Rivet (2).....
137110	-----	" Counterbalance (130 lbs.) with 124276.....
137124	21543	Machine Counterbalance (123 1/2 lbs.) with 124276, when used with Series 38 Motors.....
124266	21543	Machine Counterbalance Cable, length 20 ft. (3/8 in.).....
124267	-----	Machine Counterbalance Cable 124266 with 124269.....
124268	21543	Machine Counterbalance Cable Clamp, size 3/8 in. (2).....
124269	21543	Machine Counterbalance Cable Hook.....
124293	21544	" " " " " " Eyebolt
137125	21544	" " " " " " " Bracket.....

No.	Plate	Name
50706R	21544	Machine Counterbalance Cable Hook Eye-bolt Bracket Bolt.....
1795R	21544	Machine Counterbalance Cable Hook Eye-bolt Bracket Bolt Nut.....
1672R	21544	Machine Counterbalance Cable Hook Eye-bolt Lock Nut.....
51617R	21544	Machine Counterbalance Cable Hook Eye-bolt Nut.....
9082	21544	Machine Counterbalance Cable Hook Eye-bolt Nut Cotter Pin.....
137127	21543	Machine Counterbalance Cable Retaining Arm (left and right) with 350C (2).
350C	21543	Machine Counterbalance Cable Retaining Arm Set Screw (2).....
124270	21543	Machine Counterbalance Cable Sheave.....
898622	21543	" " " " Grease Cup.....
124271	21543	Machine Counterbalance Cable Sheave Hanger with 344C and 51287C.....
124272	-----	Machine Counterbalance Cable Sheave Hanger 124271 with 1672R, 124289 and 124290.....
124287	-----	Machine Counterbalance Cable Sheave Hanger 124272 with 124270, 124275, 137128, 898622 and two 137127.....
124289	21543	Machine Counterbalance Cable Sheave Hanger Eyebolt.....
1672R	21543	Machine Counterbalance Cable Sheave Hanger Eyebolt Nut.....
124290	21543	Machine Counterbalance Cable Sheave Hanger Eyebolt Nut Lock Washer.....
344C	21543	Machine Counterbalance Cable Sheave Hanger Eyebolt Set Screw.....
137128	21543	Machine Counterbalance Cable Sheave Hinge Pin.....
51287C	21543	Machine Counterbalance Cable Sheave Hinge Pin Set Screw.....
124275	21543	Machine Counterbalance Cable Sheave Roller Bearing.....
124276	21543	Machine Counterbalance Eyebolt.....
-----	-----	" " Weight Equalizer (3/16 shot) 10 lbs.....
Note: When ordering Weight Equalizer, amount required must be stated in lbs. or ozs.		
50548R	21544	Machine Screw (long).....
1588R	21544	" " Nut.....
9281	21544	" " " Washer.....
50916R	21544	" " (lower).....
50492R	21544	" " (short).....
50671R	21544	Switch Screw (2).....



MACHINE No. 146-33

For Overhead Suspension. Machine Head 146-71 and Series 38, $\frac{1}{4}$ H. P. Dust-Proof Electric Transmitter Motor with a Dust-Proof Switch, bolted to a bracket suspended by a cable with a spring balancing device which permits moving the machine head up or down to accommodate bags of any height.

NOTE: ORDER MUST STATE THE NUMBER OF THE MOTOR REQUIRED SO THAT CORRECT VOLTAGE, CYCLES AND PHASE CAN BE FURNISHED.

No.	Plate	Name
137157	21545A	Machine Balancer with 137158.....
137235	21546	" " Auxilliary Cable.....

PARTS FOR MACHINE No. 146-33

No.	Plate	Name
124268	21546	Machine Balancer Auxiliary Cable Clamp, size 3/8 in. (2).....
137236	21546	Machine Balancer Auxiliary Cable com- plete, Nos. 137235 and two 124268...
124293	21544	Machine Balancer Cable Hook Eyebolt.....
137125	21544	" " " " " Bracket
50706R	21544	" " " " " "
		Bolt.....
1795R	21544	Machine Balancer Cable Hook Eyebolt Bracket Bolt Nut.....
1672R	21544	Machine Balancer Cable Hook Eyebolt Lock Nut.....
51617R	21544	Machine Balancer Cable Hook Eyebolt Nut.
9082	21544	" " " " " "
		Cotter Pin.....

SINGER Needles should be used
 in **SINGER** Machines.
 These Needles and their Containers
 are marked with the
 Company's Trade-Mark "**SIMANCO.****" 1

Needles in Containers marked
 "**FOR SINGER MACHINES**"
 are NOT **SINGER** made needles. 2

REPLACEMENT PARTS FOR MACHINE BALANCER No. 137157

**CAUTION: DO NOT ORDER PARTS BY THOR
BALANCER SYMBOL WHICH IS STAMPED
ON THE PART. ORDER ONLY BY
SINGER PART NO.**

Singer Part No.	Thor Balancer Symbol	Plate	Name
137159	20206	21545B	Cable.....
145021	20150	21545B	Cable Clamp complete.....
137239	20156	21545B	" Collar.....
145022	20139	21545A	" Drum.....
137248	64154	21545A	" " Brake (fibre).....
145023	64153	21545A	" " " Housing.....
50674E	25242	21545B	" " " " Screw (2).
1515E	20035	21545B	" " " " " Nut
			(2).....
67425	20013	21545B	Cable Drum Brake Housing Screw Nut Washer (2).....
137249	64155	21545A	Cable Drum Brake Tension Spring....
140339C	20174	21545A	" " " " " Screw
137250	66487	21545A	" " Cover.....
140355E	61433	21545A	" " " Screw (4).....
67425	20013	21545A	" " " " Lock Washer (4)
145024	60663	21545A	" " Shaft.....
145001	20152	21545A	" " " Adjusting Wheel....
145025	20161	21545A	" " " " " Cover
140356E	58646	21545A	" " " " " "
			Screw (3).....
67425	20013	21545A	Cable Drum Shaft Adjusting Wheel Cover Screw Lock Washer (3)....
145026	35827	21545A	Cable Drum Shaft Adjusting Wheel Key
145002	2060	21545A	" " " " " "
			Thrust Bearing.....
145003	20158	21545A	Cable Drum Shaft Adjusting Wheel Thrust Washer.....
145004	20151	21545A	Cable Drum Shaft Bearing (2).....
137240	58658	21545B	" Guide Roller.....
137241	58657	21545B	" " " Bracket.....
140336C	58661	21545B	" " " " Adjusting Screw (2).....
1515E	20035	21545B	Cable Guide Roller Bracket Adjusting Screw Nut (2).....
67425	20013	21545B	Cable Guide Roller Bracket Adjusting Screw washer (2).....

PARTS FOR MACHINE No. 146-33

REPLACEMENT PARTS FOR MACHINE BALANCER NO. 137157

Singer Part No.	Thor Balancer Symbol	Plate	Name
140337E	58660	21545B	Cable Guide Roller Bracket Cap Screw
126846	15051	21545B	" " " " " " "
			Lock Washer.....
137242	58659	21545B	Cable Guide Roller Pin.....
137243	58663	21545B	Cable Guide Roller with Bracket complete, Nos. 137240 to 137242.....
145027	58650	21545B	Cable Hook.....
137244	58653	21545B	" Protecting Hose and Bumper (2)
137245	60671	21545B	" " " " " Stop
137246	64151	21545A	" Stop Cam.....
145018	20176	21545A	" " " Bushing.....
145020	64152	21545A	" " " Plunger.....
137247	64150	21545A	" " " " Spring.....
140338C	50371	21545A	" " " " " Adjust- ing Screw.....
145028	64149	21545A	Cable Stop Cam Plunger Spring Housing.....
145017	20175	21545A	Cable Stop Cam Screw Stud.....
1796E	20179	21545A	" " " " " Nut.....
145029	58654	21545B	" " " Clamp (two pieces).....
50807E	58652	21545B	" " " Screw (2).....
51708E	35228	21545B	" " " " Nut (2).....
126150	15009	21545B	" " " " " Lock Washer (2).....
145030	58655	21545B	Cable Stop Clamp complete, Nos. 145029 and two each 50807E, 51708E and 126150.....
145031	20162	21545B	Cable Thimble.....
145032	20137	21545A	Frame.....
145033	66484	21545A	" Cover.....
145034	66486	-----	" " 145033 with 145018.....
140356E	58646	21545A	" " Screw (6).....
67425	20013	21545A	" " " Lock Washer (6).. Main Spring with 145036 (No. "60" stamped on spring (2).....
145005	58817	21545A	
Note: No. 137157 uses two Main Springs No. 145005.			
145035	20143	21545A	Main Spring Adjusting Screw.....
145036	20171	21545A	" " Keeper Ring (2).....
145037	61435	21545A	" " " " Retainer Pin
145038	60665	21545A	" " Plate.....
145039	20166	21545A	" " Safety Lever.....
9082	57503	21545A	" " " " Cotter Pin.
145040	20163	21545A	" " " " Plate.....
145041	20165	21545A	" " " Plunger (inside)
145007	20149	21545A	" " " " " " Compression Spring.....
145008	20167	21545A	Main Spring Safety Plunger (inside) Cushion Spring.....
145019	59750	21545B	Main Spring Safety Plunger (outside)
145007	20149	21545B	" " " " " " Compression Spring.....
145009	59751	21545B	Main Spring Safety Plunger (outside) Lock Ring.....

REPLACEMENT PARTS FOR MACHINE BALANCER NO. 137157

Singer Part No.	Thor Balancer Symbol	Plate	Name
145042	61436	21545A	Main Spring Separating Ring.....
145043	20141	21545A	" " Sleeve (2).....
145044	35602	21545B	Safety Eyebolt.....
701481	-----	21545B	" " Lock Washer.....
145045	20140	21545A	Suspension Hook.....
145046	20154	21545A	" " Latch.....
145047	20155	21545A	" " " Pin (2).....
145048	20153	21545A	" " " Spring.....
145049	58647	21545A	Suspension Hook complete, Nos. 145045, 145046, 145048 and two 145047.....
137158	20145	21545B	Socket Wrench.....
145050	20144	21545A	Swivel Stud.....
145051	20157	21545A	" " Ball Ring.....
145052	20169	21545A	" " Brake (brass).....
50959E	20170	21545A	" " " Adjusting Screw...
51709E	2062	21545A	" " " " " Nut
145010	2061	21545A	" " " Spring.....
145053	20164	21545A	" " Bushing.....
145054	20146	21545A	" " Locking Pin (grooved)...

No.	Plate	Name
46657	-----	Machine Belt, 1/4 in. daim., 36 1/2 in. long, with 25128.....
137123	21544	Machine Belt Guard.....
333R	21544	" " " Screw (2).....
25128	-----	" " Hook.....
41441	21544	" " Shifter Belt Guide Pin (2)
882AL	21544	" " " " " " Set Screw (2).....
124259	21544	Machine Belt Shifter Bracket with 858AL and two 882AL.....
54640	21544	Machine Belt Shifter Bracket Hinge Stud.
443AL	21544	" " " " " " " Set Screw.....
124260	21544	Machine Belt Shifter Bracket Spring.....
124261	21544	" " " " " " Position Pin.....
554C	21544	Machine Belt Shifter Bracket Spring Screw Eyelet.....
124282	21544	Machine Belt Shifter Handle.....
858AL	21544	" " " " " Set Screw...
137105	21544	" Bracket with 435AL, 443AL and 50422C.....
137126	21544	Machine Bracket 137105 with 554C, 1178E, 1672R, 1795R, 9082, 20437, 50492R, 50706R, 51617R, 54640, 124259 to 124261, 124282, 124293, 137107, 137109, 137123, 137125, two each 333R, 41441, 50671R and four 731R.....
137107	21544	Machine Bracket Handle.....
435AL	21544	" " " Set Screw.....
731R	21544	" " Motor Screw (4).....
126573	21544	" Brake (thermoid).....
137108	21544	" " Bracket.....
137109	21544	" " " 137108 with 126573 and two 27878.....
1178E	21544	Machine Brake Bracket Screw.....
20437	21544	" " " " Washer.....
27878	21544	" " Rivet (2).....
50548R	21544	" Screw (long).....
1588R	21544	" " " Nut.....
9281	21544	" " " " Washer.....
50916R	21544	" " (lower).....
50492R	21544	" " (short).....
50671R	21544	Switch Screw (2).....

FITTINGS FOR SINGLE THREAD CHAIN STITCH

No.	Plate	Name
137078	21542	Feed Dog, 10 teeth (10 teeth to the inch)
130838	21542	Looper.....
137079	21542	Presser Foot Compensating Plate.....
226J	21542	" " " " Screw...
18200	21542	" " " " Spring..
137080	21542	" " Finger Guard.....
207J	21542	" " " " Screw.....
137081	21542	" " Hinge Pin.....
137082	21542	" " Plate.....
137083	21542	" " Shank.....
137084	21542	Presser Foot (compensating, hinged) complete for three to six stitches to the inch, Nos. 207J, 226J, 18200 and 137079 to 137083.....
145015	21542	Throat Plate with 665J and 145012, for three to six stitches to the inch...
145012	21542	Throat Plate Thread Retainer.....
665J	21542	" " " " Screw.....

ACCESSORIES

No.	Plate	Name
120344	21547	Oiler (copper plated) with 120345.....
120345	21547	" Spout, 4 1/2 in. long.....
11831	21547	Screw Driver (large).....
26026	21547	" " (medium).....
26485	21547	" " (small).....
120341	21547	Tweezers (curved).....
8908	21547	Wrench for 1708 and 1753.....
8909	21547	" " 1518 and 1714.....
27662	21547	" " 1508.....

THREAD UNWINDER

FOR TWO SPOOLS OR TWO LARGE CONES OF THREAD
FOR I46-71 MACHINE

No.	Plate	Name
225257	21549	Spool Rest with 201018C.....
150203	21549	" " Cushion (felt) (2).....
225388	21549	" " Rod.....
200383C	21549	" " Set Screw.....
201018C	21549	" " Set Screw.....
202490	21549	" Stand with 200383C.....
225391	21549	Thread Guide (2).....
201696J	21549	" " Lock Nut.....
225326	21549	" " Position Cup.....
225324	21549	" " Rod with 208AL and 225322.
208AL	21549	" " " Screw.....
225322	21549	" " " Washer.....
150058	21549	" Separator with Bracket.....
150060	21549	" " Bracket Arm with 164J and 9525.....
164J	21549	Thread Separator Bracket Arm Clamping Screw.....
9525	21549	Thread Separator Bracket Arm Clamping Screw Washer.....
164J	21549	Thread Separator Bracket Arm Screw.....
9525	21549	" " " " " Washer
150061	-----	Thread Separator complete, Nos. 164J, 9525, 150058 and 150060.....
150853	21549	Thread Unwinder complete, Nos. 150061, 201696J, 202490, 225257, 225324, 225326, 225388, two each 150203, 225391 and three wood screws 7/8 in. No. 12....
27739	21549	Thread Cone (wood) for large cones.....
225390	21549	" " Holder for inverted cones...

Note: Nos. 27739 and 225390 are used with but not included in 150853.

THREAD UNWINDER

(FOR TWO SPOOLS)
FOR I46-31 AND I46-33 MACHINES

No.	Plate	Name
124278	21548	Counterbalance with 51288R.....
51288R	21548	" Thumb Screw.....
225257	21548	Spool Rest with 201018C.....

No.	Plate	Name
150203	21548	Spool Rest Cushion (felt) (2).....
124295	21548	" " Rod with 123183.....
123183	21548	" " " Cotter Pin.....
124296	21548	" " " Extension.....
137155	21548	" " " " Coupling with three 1157C.....
1157C	21548	Spool Rest Rod Extension Coupling Set Screw (3).....
50422C	21544	Spool Rest Rod Extension Set Screw.....
201018C	21548	" " Set Screw.....
225391	21548	Thread Guide (2).....
201696J	21548	" " Lock Nut.....
225326	21548	" " Position Cup.....
225324	21548	" " Rod with 208AL and 225322.
208AL	21548	" " " Screw.....
225322	21548	" " " Washer.....
124298	21548	Thread Unwinder complete, Nos. 124278, 124295, 124296, 137155, 201696J, 225257, 225324, 225326 and two each 150203 and 225391.....

SINGER Needles should be used
 in **SINGER** Machines.
 These Needles and their Containers
 are marked with the
 Company's Trade-Mark "SIMANCO.**" 1

Needles in Containers marked
 "FOR SINGER MACHINES"
 are NOT **SINGER** made needles. 2

OBSOLETE PARTS

No.	Plate	Name
137032	-----	Cloth Plate, obsolete, superseded by 145013, not interchangeable.....
137033	-----	Cloth Plate complete, Nos. 49054, 58002, 137032, 137064 and two 226J, obsolete, superseded by 145014, not interchangeable.....
137085	-----	Throat Plate, for double thread chain stitch for 137078, for three to six stitches to the inch, obsolete, superseded by 145016, not interchangeable.....
145011	-----	Throat Plate with 665J and 145012 for single thread chain stitch, obsolete, superseded by 145015, not interchangeable.....
51023F	-----	Throat Plate Screw (small) obsolete, superseded by 691F, not interchangeable.....

SINGER Needles should be used
 in **SINGER** Machines.
 These Needles and their Containers
 are marked with the
 Company's Trade-Mark "SIMANCO. **" 1

Needles in Containers marked
 "FOR SINGER MACHINES"
 are NOT **SINGER** made needles. 2

NUMERICAL LIST OF PARTS

No.	Plate	Name
127E	21535	Looper Bell Crank Connection Cap (large) Screw for 137053 (2).....
144D	21535	Arm Rotary Shaft Screw.....
145E	21535	Crank Connecting Rod Cap (lower) Screw for 137034 (2).....
157E	21537	Looper Carrier Rock Shaft Crank (front) Clamping Screw for 130763 (2).....
159F	21535	Arm Rotary Shaft Flanged Bushing (back) Screw (3).....
164J	21549	Thread Unwinder Thread Separator Bracket Arm Clamping Screw for 150060.....
164J	21549	Thread Unwinder Thread Separator Bracket Arm Screw for 150061.....
171AL	21535	Looper Bell Crank Connection Cap (small) Screw for 137053 (2).....
172C	21541	Feed Dog Screw.....
172C	21540	Thread Chain Cutting Blade Actuating Plate Screw.....
172J	21540	Thread Chain Cutting Lever Extension Screw (large).....
175E	21537	Feed Lifting Cam Connection Cap Screw for 130834 (2).....
175E	-----	Looper Bell Crank Connection Guide Screw for 137054.....
175E	21537	Looper Carrier Connection Cap (left) Screw for 130757 (2).....
175E	21537	Looper Carrier Connection Cap (right) Screw for 130757 (2).....
175J	21535	Thread (under) Take-up Thread Guide Screw (2).....
176J	21536	Arm Side Cover Screw (lower).....
176J	21541	Presser Foot Screw.....
190J	21536	Arm Side Cover Screw (upper).....
190J	21539	Tension (upper thread, automatic) Thread Guide Screw.....
190J	21535	Thread (under) Take-up Screw.....
193F	21536	Face Plate Screw (3).....
202F	21537	Looper Carrier Hinge Stud Collar Set Screw for 49166 (2).....
207J	21541	Presser Foot Finger Guard Screw for 137084.....
208AL	21548	Thread Unwinder Thread Guide Rod Screw for 225324.....
212D	21538	Presser Bar Lifter Cap Screw.....
212D	21538	" " Lifting Link Cap Screw.....
226J	21536	Looper Gate Lock Spring Screw for 137033 and 145014 (2).....

NUMERICAL LIST OF PARTS

No.	Plate	Name
226J	21541	Presser Foot Compensating Plate Screw for 137084.....
333R	21544	Machine Belt Guard Screw for 137126 (2)
344C	21543	" Counterbalance Cable Sheave Hanger Eyebolt Set Screw for 124271.....
350C	21543	Machine Counterbalance Cable Retaining Arm Set Screw for 137127 (2).....
389F	21541	Needle Guard Screw.....
430C	21534	Arm Rock Shaft Bushing (intermediate) Set Screw.....
430C	21535	Arm Rotary Shaft Bushing (front) Set Screw.....
430C	21535	Balance Wheel and Pulley (tight) Set Screw for 137031 (2).....
435AL	21538	Needle Bar Bushing (lower) Set Screw....
435AL	21538	Presser Bar Bushing (lower) Set Screw...
435AL	21544	Machine Bracket Handle Set Screw for 137105.....
443AL	21534	Arm Rock Shaft Bushing (back) Set Screw.
443AL	21534	" " Flanged Bushing (front) Set Screw.....
443AL	21544	Machine Belt Shifter Bracket Hinge Stud Set Screw for 137105.....
443AL	21540	Thread Chain Cutting Lever Hinge Stud Set Screw.....
448AL	21535	Arm Rotary Shaft Bushing (intermediate) Set Screw.....
448AL	21537	Looper Bell Crank Hinge Stud Set Screw..
448AL	21538	Presser Bar Lifter Hinge Stud Set Screw.
453AL	21538	" " Lifting Bracket Set Screw for 130801.....
457AL	21537	Feed Bar Hinge Pin Set Screw for 137037.
457AL	21537	" Lifting Cam Connection Hinge Pin Set Screw for 130834.....
457AL	21538	Thread (upper) Take-up Set Screw for 137153.....
554C	21544	Machine Belt Shifter Bracket Spring Screw Eyelet for 137126.....
574W	21539	Pressure Regulating Thumb Screw.....
624AL	21534	Needle Bar Connecting Link Hinge Pin Set Screw for 137012.....
665J	21542	Throat Plate Thread Retainer Screw for 145011 and 145015.....
690D	21539	Thread (upper) Controller Screw.....
691F	21541	Throat Plate Screw (2).....
731R	21544	Machine Bracket Motor Screw for 137126 (4).....
735AL	21536	Looper Gate Hinge Pin Set Screw for 137064.....
848F	21539	Tension (upper thread, automatic) Stud for 34527.....

NUMERICAL LIST OF PARTS

29

No.	Plate	Name
858AL	21544	Machine Belt Shifter Handle Set Screw for 124259.....
882AL	21544	Machine Belt Shifter Belt Guide Pin Set Screw for 124259 (2).....
892F	21538	Presser Bar Lifting Bracket Adjusting Screw for 130801.....
896AL	21535	Crank Connecting Rod Cap (upper) Screw for 137034 (2).....
896AL	21535	Feed Connecting Rod Cap Screw for 137038 (2).....
896AL	21537	Looper Carrier Hinge Stud Set Screw for 130763.....
966E	21536	Cloth Plate Screw (front).....
1019AL	21538	Thread (upper) Take-up Thread Eyelet Bushing Set Screw for 137153.....
1036AL	21535	Feed Eccentric Set Screw for 137042 (2)
1036AL	21535	" Lifting Cam Set Screw for 137043 (2).....
1036AL	21535	Looper Bell Crank Eccentric Set Screw for 137058 (2).....
1036AL	21534	Tension (upper thread, automatic) Releasing Cam Set Screw for 130808....
1057AL	21535	Thread (under) Take-up Connection Cap Screw for 130862 (2).....
1095F	21534	Arm Back Cover Screw.....
1095F	21539	Slack Thread Controller Screw.....
1133AL	21538	Needle Bar Bushing (upper) Set Screw....
1133AL	21538	Presser Bar Bushing (upper) Set Screw...
1147AL	21537	Looper Carrier Connection Ball Stud (left) Set Screw for 130756.....
1147AL	21537	Looper Set Screw for 130756 (2).....
1157C	21548	Thread Unwinder Spool Rest Rod Extension Coupling Set Screw for 137155 (3)..
1177E	21537	Feed Regulator Clamping Screw for 137044 (2).....
1178E	21544	Machine Brake Bracket Screw for 137126..
1241E	21538	Presser Bar Lifting Link Spring Screw Stud.....
1253C	21538	Presser Bar Lifting Link Hinge Screw....
1396E	21534	Arm Rock Shaft Crank Clamping Screw for 137014.....
1423J	21539	Thread (under) Thread Guide Screw.....
1454E	21538	Needle Bar Connecting Stud Clamping Screw for 130844.....
1508J	21537	Feed Rocking Frame Hinge Pin Nut for 137048.....
1508J	21537	Feed Rocking Frame Hinge Pin Screw Bushing Nut.....
1515E	21545B	Machine Balancer Cable Drum Brake Housing Screw Nut for 137157 (2).....

NUMERICAL LIST OF PARTS

No.	Plate	Name
1515E	21545B	Machine Balancer Cable Guide Roller Bracket Adjusting Screw Nut for 137157 (2).....
1518J	21537	Looper Carrier Connection Ball Screw Stud (right) Nut.....
1539W	21539	Pressure Regulating Thumb Screw Lock Nut
1588R	21544	Machine Screw (long) Nut for 146-31 and 146-33 Machines.....
1672R	21544	Machine Balancer Cable Hook Eyebolt Lock Nut for 137126, for 146-33 Machine..
1672R	21544	Machine Counterbalance Cable Hook Eye- bolt Lock Nut for 137126, for 146-31 Machine.....
1672R	21543	Machine Counterbalance Cable Sheave Hanger Eyebolt Nut for 124272.....
1708J	21539	Thread (upper) Controller Thread Eyelet Lock Nut.....
1714C	21537	Feed Regulating Screw Stud Nut.....
1732J	21540	Thread Chain Cutting Blade Hinge Screw Nut.....
1753C	21538	Needle Clamping Nut.....
1795R	21544	Machine Balancer Cable Hook Eyebolt Bracket Bolt Nut for 137126, for 146-33 Machine.....
1795R	21544	Machine Counterbalance Cable Hook Eye- bolt Bracket Bolt Nut for 137126, for 146-31 Machine.....
1796E	21545A	Machine Balancer Cable Stop Cam Screw Stud Nut for 137157.....
1933	21540	Thread Chain Cutting Blade Roller and Stud for 58010 and 58011 (2).....
2102	21539	Tension (under thread) Disc (2).....
2102	21539	" (upper thread) Disc (2).....
8908	21547	Wrench for 1708 and 1753 (Accessories)
8909	21547	" for 1518 and 1714 (Accessories)
9082	21544	Machine Balancer Cable Hook Eyebolt Nut Cotter Pin for 137126, for 146-33 Machine.....
9082	21545A	Machine Balancer Safety Lever Cotter Pin for 137157.....
9082	21544	Machine Counterbalance Cable Hook Eye- bolt Nut Cotter Pin for 137126, for 146-31 Machine.....
9281	21544	Machine Screw (long) Nut Washer for 146-31 and 146-33 Machines.....
9525	21549	Thread Unwinder Thread Separator Bracket Arm Clamping Screw Washer for 150060
9525	21549	Thread Unwinder Thread Separator Bracket Arm Screw Washer for 150061.....
9540	21539	Tension (upper thread, automatic) Spring for 34527.....

No.	Plate	Name
9541	21539	Tension (upper thread, automatic) Stud Plug (micarda) for 34527.....
11831	21547	Screw Driver (large) Accessories.....
13375	21540	Thread Chain Cutting Lever Extension Handle for 137087.....
*15404	-----	Trade Mark for 137003.....
15405	-----	" " Rivet for 137003 (2).....
15770	21539	Tension (upper thread, automatic) Cap for 34527.....
17622	21540	Thread Chain Cutting Blade Spring.....
17679	21535	Balance Wheel and Pulley (tight) Washer
18200	21541	Presser Foot Compensating Plate Spring for 137084.....
19510	21540	Thread Chain Cutting Lever Spring.....
20437	21544	Machine Brake Bracket Screw Washer for 137126.....
25128	-----	Machine Belt Hook for 46657.....
26026	21547	Screw Driver (medium) Accessories....
26485	21547	" " (small) Accessories.....
27398	21537	Feed Rocking Frame Washer (2).....
27662	21547	Wrench for 1508 (Accessories).....
27739	21549	Thread Unwinder Thread Cone (wood) for large cones for 150853.....
27878	21544	Machine Brake Rivet for 137109 (2).....
32572	21539	Tension (under thread) Spring Washer....
32572	21539	" (upper thread) Spring Washer....
34527	21539	Tension (upper thread, automatic) complete, Nos. 848F,9540,9541,15770 and 50530K.....
38468	21539	Presser Bar Spring Stud.....
40025	21534	Arm Rock Shaft Crank Pin.....
41441	21544	Machine Belt Shifter Belt Guide Pin for 137126 (2).....
42290	21539	Thread (upper) Controller Screw Washer..
46657	-----	Machine Belt, 1/4 in. diam., 36 1/2 in. long, with 25128, for 146-31 and 146-33 Machines.....
49031	21537	Feed Regulating Screw Stud Sleeve.....
49032	21537	" " " " Washer.....
49043	21537	Looper Carrier Connection Ball Screw Stud (right) Washer (fibre).....
49043	21537	Looper Carrier Connection Ball Stud (left) Washer (fibre).....
49049	21535	Looper Carrier Rock Shaft Crank (back) Slide Block.....
49054	21536	Looper Gate Lock Spring for 137033 and 145014.....
49061	21538	Presser Bar Bushing (upper).....
49064	21538	" " Lifter Hinge Stud.....
49067	21539	" " Spring (flat).....
49166	21537	Looper Carrier Hinge Stud Collar with two 202F.....

NUMERICAL LIST OF PARTS

No.	Plate	Name
50085F	21536	Cloth Plate Screw (back).....
50086C	21537	Feed Regulating Screw Stud.....
50152J	21540	Thread Chain Cutting Lever Extension Screw (small).....
50247C	21540	Thread Chain Cutting Blade Hinge Screw..
50326C	21539	Tension (under thread) Screw Stud for 59539.....
50326C	21539	Tension (upper thread) Screw Stud for 59539.....
50422C	21544	Thread Unwinder Spool Rest Rod Extension Set Screw for 137105.....
50492R	21544	Machine Screw (short) for 137126.....
50530K	21539	Tension (upper thread, automatic) Body for 34527.....
50548R	21544	Machine Screw (long) for 146-31 and 146-33 Machines.....
50671R	21544	Switch Screw for 137126 (2).....
50674E	21545B	Machine Balancer Cable Drum Brake Hous- ing Screw for 137157 (2).....
50706R	21544	Machine Balancer Cable Hook Eyebolt Bracket Bolt for 137126, for 146-33 Machine.....
50706R	21544	Machine Counterbalance Cable Hook Eye- bolt Bracket Bolt for 137126, for 146-31 Machine.....
50807E	21545B	Machine Balancer Cable Stop Clamp Screw for 145030 (2).....
50916R	21544	Machine Screw (lower) for 146-31 and 146-33 Machines.....
50959E	21545A	Machine Balancer Swivel Stud Brake Ad- justing Screw for 137157.....
51023F	-----	Throat Plate Screw (small) obsolete, su- perseded by 691F, not interchange- able.....
51287C	21543	Machine Counterbalance Cable Sheave Hinge Pin Set Screw for 124271.....
51288R	21548	Thread Unwinder Counterbalance Thumb Screw for 124278.....
51313AL	21535	Looper Carrier Rock Shaft Crank (back) Position Screw for 130762.....
51333J	21534	Arm Oil Plug Screw.....
51408AL	21537	Looper Bell Crank Ball Stud Set Screw for 137051.....
51416C	21537	Feed Rocking Frame Hinge Pin Screw Bush- ing.....
51570C	21539	Tension (under thread) Regulating Thumb Nut for 59539.....
51570C	21539	Tension (upper thread) Regulating Thumb Nut for 59539.....
51617R	21544	Machine Balancer Cable Hook Eyebolt Nut for 137126, for 146-33 Machine.....

NUMERICAL LIST OF PARTS

33

No.	Plate	Name
51617R	21544	Machine Counterbalance Cable Hook Eye-bolt Nut for 137126, for 146-31 Machine.....
51708E	21545B	Machine Balancer Cable Stop Clamp Screw Nut for 145030 (2).....
51709E	21545A	Machine Balancer Swivel Stud Brake Adjusting Screw Nut for 137157.....
52150	21535	Feed Connecting Rod Oil Tube Oil Wick (braided cotton).....
52150	21535	Looper Bell Crank Eccentric Oil Sling Oil Tube Oil Wick (braided cotton)..
54640	21544	Machine Belt Shifter Bracket Hinge Stud for 137126.....
58002	21536	Looper Gate Hinge Pin for 137033 and 145014.....
58010	21540	Thread Chain Cutting Blade (inside) with 1933.....
58011	21540	Thread Chain Cutting Blade (outside) with 1933.....
58014	21540	Thread Chain Cutting Blade Actuating Plate.....
58048	21538	Presser Bar Lifting Link.....
58049	21538	" " " " Spring.....
59534	21539	Tension (under thread) Spring.....
59534	21539	" (upper thread) Spring.....
59537	21539	" (under thread) Spring Bushing (large).....
59537	21539	Tension (upper thread) Spring Bushing (large).....
59538	21539	Tension (under thread) Spring Bushing (small).....
59538	21539	Tension (upper thread) Spring Bushing (small).....
59539	-----	Tension (under thread) Screw Stud 50326C with 51570C.....
59539	-----	Tension (upper thread) Screw Stud 50326C with 51570C.....
67425	21545B	Machine Balancer Cable Drum Brake Housing Screw Nut Washer for 137157 (2)
67425	21545A	Machine Balancer Cable Drum Cover Screw Lock Washer for 137157 (4).....
67425	21545A	Machine Balancer Cable Drum Shaft Adjusting Wheel Cover Screw Lock Washer for 137157 (3).....
67425	21545B	Machine Balancer Cable Guide Roller Bracket Adjusting Screw Washer for 137157 (2).....
67425	21545A	Machine Balancer Frame Cover Screw Lock Washer for 137157 (6).....
68714	21535	Pulley (loose) Ball Bearing for 137132..
120341	21547	Tweezers (curved) Accessories.....

NUMERICAL LIST OF PARTS

No.	Plate	Name
120344	21547	Oiler (copper plated) with 120345 (Accessories).....
120345	21547	Oiler Spout, 4 1/2 in. long, for 120344.
123183	21548	Thread Unwinder Spool Rest Rod Cotter Pin for 124295.....
124259	21544	Machine Belt Shifter Bracket with 858AL and two 882AL, for 137126.....
124260	21544	Machine Belt Shifter Bracket Spring for 137126.....
124261	21544	Machine Belt Shifter Bracket Spring Position Pin for 137126.....
124266	21543	Machine Counterbalance Cable, length 20 ft. (3/8 in.) for 124267.....
124267	-----	Machine Counterbalance Cable 124266 with 124269, for 146-31 Machine.....
124268	21546	Machine Balancer Auxiliary Cable, Cable Clamp, size 3/8 in., for 137236 (2)
124268	21543	Machine Counterbalance Cable Clamp, size 3/8 in., for 146-31 Machine (2)....
124269	21543	Machine Counterbalance Cable Hook for 124267.....
124270	21543	Machine Counterbalance Cable Sheave for 124287.....
124271	21543	Machine Counterbalance Cable Sheave Hanger with 344C and 51287C, for 124272.....
124272	-----	Machine Counterbalance Cable Sheave Hanger 124271 with 1672R, 124289 and 124290, for 124287.....
124275	21543	Machine Counterbalance Cable Sheave Roller Bearing for 124287.....
124276	21543	Machine Counterbalance Eyebolt for 137110 and 137124.....
124278	21548	Thread Unwinder Counterbalance with 51288R, for 124298.....
124282	21544	Machine Belt Shifter Handle for 137126..
124287	-----	" Counterbalance Cable Sheave Hanger 124272 with 124270, 124275, 137128, 898622 and two 137127, for 146-31 Machine.....
124289	21543	Machine Counterbalance Cable Sheave Hanger Eyebolt for 124272.....
124290	21543	Machine Counterbalance Cable Sheave Hanger Eyebolt Nut Lock Washer for 124272.....
124293	21544	Machine Balancer Cable Hook Eyebolt for 137126, for 146-33 Machine.....
124293	21544	Machine Counterbalance Cable Hook Eyebolt for 137126, for 146-31 Machine.
124295	21548	Thread Unwinder Spool Rest Rod with 123183, for 124298.....

NUMERICAL LIST OF PARTS

35

No.	Plate	Name
124296	21548	Thread Unwinder Spool Rest Rod Extension for 124298.....
124298	21548	Thread Unwinder complete for two spools for 146-31 and 146-33 Machines, Nos. 124278, 124295, 124296, 137155, 201696J, 225257, 225324, 225326 and two each 150203 and 225391.....
126150	21545B	Machine Balancer Cable Stop Clamp Screw Nut Lock Washer for 145030 (2).....
126573	21544	Machine Brake (thermoïd) for 137109.....
126846	21545B	Machine Balancer Cable Guide Roller Bracket Cap Screw Lock Washer for 137157.....
130708	-----	Arm Rock Shaft Bushing (back) for 130709
130709	21534	" " " " " 130708 with 130911.....
130713	21535	Arm Rotary Shaft Bushing (front) Oil Wick (braided cotton) for 137021....
130713	21535	Arm Rotary Shaft Bushing (intermediate) Oil Wick (braided cotton) for 137024
130737	21536	Face Plate.....
130738	21537	Feed Bar Hinge Pin.....
130756	21537	Looper Carrier with 130760 and three 1147AL.....
130757	21537	Looper Carrier Connection with four 175E, for 130873.....
130759	21537	Looper Carrier Hinge Stud.....
130760	21537	" " Oil Wick (braided cotton) for 130756.....
130762	21535	Looper Carrier Rock Shaft Crank (back) forked, with 51313AL.....
130763	21537	Looper Carrier Rock Shaft Crank (front) with 896AL and two 157E.....
130769	21534	Needle Bar Connecting Link for 130875...
130799	21538	Presser Bar.....
130800	21538	" " Bushing (lower).....
130801	21538	" " Lifting Bracket with 453AL and 892F.....
130807	21539	Tension (under thread) Thread Guide....
130808	21534	" (upper thread, automatic) Releasing Cam with 1036AL.....
130811	21535	Thread (under) Take-up Thread Guide....
130812	21539	" " Thread Guide (back of arm)
130834	21537	Feed Lifting Cam Connection with 457AL and two 175E.....
130836	21537	Feed Lifting Cam Connection Hinge Pin...
130838	21542	Looper for single thread chain stitch...
130839	21541	Looper for double thread (heavy thread).
130841	21538	Needle Bar (hollow).....
130842	21538	" " Bushing (lower).....
130844	21538	" " Connecting Stud with 1454E, for 130875.....

NUMERICAL LIST OF PARTS

No.	Plate	Name
130849	21539	Tension (upper thread, automatic) Thread Guide.....
130850	21539	Tension (upper thread) Thread Guide.....
130854	21539	Thread (upper) Controller Thread Eyelet.
130862	21535	" (under) Take-up Connection (forked) with two 1057AL.....
130864	21535	Thread (under) Take-up Connection Slide Block.....
130873	-----	Looper Carrier Connection 130757 with 130956 and 130970.....
130875	-----	Needle Bar Connecting Link 130769 with 130844, for 137013.....
130907	-----	Arm Rock Shaft Bushing (intermediate) for 130908.....
130908	21534	Arm Rock Shaft Bushing (intermediate) 130907 with 130912.....
130909	-----	Arm Rock Shaft Flanged Bushing (front) for 130910.....
130910	21534	Arm Rock Shaft Flanged Bushing (front) 130909 with 130912.....
130911	21534	Arm Rock Shaft Bushing (back) Oil Wick (braided cotton) for 130709.....
130912	21534	Arm Rock Shaft Bushing (intermediate) Oil Wick (braided cotton) for 130908
130912	21534	Arm Rock Shaft Flanged Bushing (front) Oil Wick (braided cotton) for 130910
130956	21537	Looper Carrier Connection Ball Stud (left) for 130873.....
130959	21539	Slack Thread Controller.....
130970	21537	Looper Carrier Connection Ball Screw Stud (right) for 130873.....
131089	21534	Arm Rock Shaft Crank Oil Wick (wick) for 137015.....
*137003	-----	Arm, upper and lower (solid) with 15404 and two 15405.....
137004	21534	Arm Back Cover.....
137005	21534	" Oil Tube, for oiling Arm Rock Shaft Intermediate Bearing for 137141.....
137006	21534	Arm Oil Tube, for oiling Arm Rock Shaft Front Bearing for 137143.....
137010	21535	Arm Oil Tube, for oiling Arm Rotary Shaft Intermediate Bearing.....
137011	21535	Arm Oil Tube Extension for 137144.....
137011	21535	Looper Bell Crank Eccentric Oil Sling Oil Tube Extension.....
137012	21534	Arm Rock Shaft with 624AL, for 137013...
137013	-----	" " " 137012 with 130875.....
*137014	-----	" " " Crank, back (ball bearing, solid) with 1396E, for 137015.....
137015	21534	Arm Rock Shaft Crank (back) 137014 with 131089 and 137016, for 137093.....
137016	21534	Arm Rock Shaft Crank Oil Plug (brass) for 137015.....

No.	Plate	Name
137017	21534	Arm Rock Shaft Oil Wick (braided cotton)
137018	21535	" Rotary Shaft for 137019.....
137019	-----	" " " 137018 with 137028.....
*137020	-----	" " " Bushing (front) for 137021.....
137021	21535	Arm Rotary Shaft Bushing (front) 137020 with 130713.....
137022	21535	Arm Rotary Shaft Bushing (front) Oil Plug.....
*137023	-----	Arm Rotary Shaft Bushing (intermediate) for 137024.....
137024	21535	Arm Rotary Shaft Bushing (intermediate) 137023 with 130713.....
*137025	-----	Arm Rotary Shaft Flanged Bushing (back) for 137026.....
137026	21535	Arm Rotary Shaft Flanged Bushing (back) 137025 with 137027.....
137027	21535	Arm Rotary Shaft Flanged Bushing (back) Oil Wick (braided cotton) for 137026
137028	21535	Arm Rotary Shaft Oil Sling with 137029, for 137019.....
137029	21535	Arm Rotary Shaft Oil Sling Oil Tube for 137028.....
137030	21536	Arm Side Cover.....
137031	21535	Balance Wheel and Pulley (tight) 2 7/8 in. diam., with two 430C, for 137134
137032	-----	Cloth Plate for 137033, obsolete, super- seded by 145013, not interchangeable
137033	-----	Cloth Plate complete, Nos. 49054, 58002, 137032, 137064 and two 226J, obso- lete, superseded by 145014, not in- terchangeable.....
137034	21535	Crank Connecting Rod with two each 145E and 896AL, for 137093.....
137037	21537	Feed Bar with 457AL.....
137038	21535	" Connecting Rod with 137091 and two 896AL.....
137040	21535	Feed Connecting Rod Oil Tube for 137146.
137042	21535	" Eccentric with two 1036AL.....
137043	21535	" Lifting Cam with two 1036AL.....
137044	21537	" Regulator with two 1177E, for 137046.....
137045	21537	Feed Rocking Frame for 137046.....
137046	-----	" " " 137045 with 137044...
137047	21537	" " " Hinge Pin for 137048.
137048	-----	" " " " " 137047 with 1508J.....
137050	21541	Looper for double thread (light thread).
137051	21537	" Bell Crank with 51408AL.....
137052	21535	" " " Ball Stud for 137054..
137053	21535	" " " Connection with two each 127E and 171AL, for 137054.....

NUMERICAL LIST OF PARTS

No.	Plate	Name
137054	-----	Looper Bell Crank Connection 137053 with 175E, 137052 and 137057, for 137092.
137057	21535	Looper Bell Crank Connection Guide for 137054.....
137058	21535	Looper Bell Crank Eccentric with two 1036AL, for 137092.....
137059	21535	Looper Bell Crank Eccentric Oil Sling...
137060	21535	" " " " " " Oil Tube.....
137061	21537	Looper Bell Crank Hinge Stud.....
137062	21537	" " " " " Oil Tube for 137147.....
137063	21535	Looper Carrier Rock Shaft.....
137064	21536	" Gate with 735AL, for 137033 and 145014.....
137065	21535	Looper and Thread (under) Take-up Eccentric.....
137066	21535	Looper and Thread (under) Take-up Eccentric Locating Pin.....
137067	21538	Needle Bar Bushing (upper).....
137068	21541	" Guard.....
137072	21535	Thread (under) Take-up.....
137073	21539	" (upper) Controller.....
137074	21540	" Chain Cutting Lever.....
137075	21540	" " " " Extension...
137076	21540	" " " " Hinge Stud...
137078	21541	Feed Dog, 10 teeth (10 teeth to the inch) for 137085, 145011, 145015 and 145016.
137079	21541	Presser Foot Compensating Plate for 137084.....
137080	21541	Presser Foot Finger Guard for 137084....
137081	21541	" " Hinge Pin for 137084.....
137082	21541	" " Plate for 137084.....
137083	21541	" " Shank for 137084.....
137084	21541	Presser Foot (compensating, hinged) complete for three to six stitches to the inch, Nos. 207J, 226J, 18200 and 137079 to 137083.....
137085	-----	Throat Plate for double thread chain stitch for 137078, for three to six stitches to the inch, obsolete, superseded by 145016, not interchangeable.....
137086	21540	Thread Chain Cutting Lever Extension for 137087.....
137087	21540	Thread Chain Cutting Lever Extension 137086 with 13375, for hand operation.....
137091	21535	Feed Connecting Rod Oil Wick for 137038.
137092	-----	Looper Bell Crank Connection 137054 with 137058.....
137093	-----	Crank Connecting Rod 137034 with 137015.

No.	Plate	Name
137105	21544	Machine Bracket with 435AL, 443AL and 50422C, for 137126.....
137107	21544	Machine Bracket Handle for 137126.....
137108	21544	" Brake Bracket for 137109.....
137109	21544	" " " 137108 with 126573 and two 27878, for 137126.....
137110	-----	Machine Counterbalance (130 lbs.) with 124276, for 146-31 Machine.....
137123	21544	Machine Belt Guard for 137126.....
137124	21543	" Counterbalance (123 1/2 lbs.) with 124276 when used with Series 38 Motors for 146-31 Machine.....
137125	21544	Machine Balancer Cable Hook Eyebolt Bracket for 137126, for 146-33 Machine.....
137125	21544	Machine Counterbalance Cable Hook Eyebolt Bracket for 137126, for 146-31 Machine.....
137126	21544	Machine Bracket 137105 with 554C, 1178E, 1672R, 1795R, 9082, 20437, 50492R, 50706R, 51617R, 54640, 124259 to 124261, 124282, 124293, 137107, 137109, 137123, 137125, two each 333R, 41441, 50671R and four 731R, for 146-31 and 146-33 Machines.....
137127	21543	Machine Counterbalance Cable Retaining Arm (left and right) with 350C, for 124287 (2).....
137128	21543	Machine Counterbalance Cable Sheave Hinge Pin for 124287.....
137131	21535	Pulley (loose) 2 7/8 in. diam., with 200584D, for 137132.....
137132	-----	Pulley (loose) 137131 with 68714, for 137137.....
137134	21535	Pulleys (ball bearing) complete, Nos. 137031 and 137137.....
137135	21535	Pulley (loose) Spacing Collar for 137137
137137	-----	" " 137132 with 137135, for 137134.....
137141	21534	Arm Oil Tube 137005 with 137142.....
137142	21534	" " Oil Cup for 137141 and 137143 (2).....
137143	21534	Arm Oil Tube 137006 with 137142.....
137144	-----	" " Extension 137011 with 137145
137145	21535	" " " Oil Cup for 137144, 137146 and 137151 (3).....
137146	-----	Feed Connecting Rod Oil Tube 137040 with 137145.....
137147	-----	Looper Bell Crank Hinge Stud Oil Tube 137062 with 137148.....
137148	21537	Looper Bell Crank Hinge Stud Oil Tube Oil Cup for 137147.....

NUMERICAL LIST OF PARTS

No.	Plate	Name
137149	21535	Oil Reservoir for 137151.....
137150	21535	" " Oil Tube for 137151.....
137151	21535	Oil Reservoir complete for oiling Arm Rotary Shaft Back Bearing, Nos. 137145, 137149 and 137150.....
137152	21538	Presser Bar Lifter.....
137153	21538	Thread (upper) Take-up with 457AL,1019AL and 137154.....
137154	21538	Thread (upper) Take-up Thread Eyelet Bushing for 137153.....
137155	21548	Thread Unwinder Spool Rest Rod Extension Coupling with three 1157C, for 124298.....
137157	21545A	Machine Balancer with 137158, for 146-33 Machine.....
137158	21545B	Machine Balancer Socket Wrench for 137157.....
137159	21545B	Machine Balancer Cable for 137157.....
137235	21546	" " Auxiliary Cable for 137236
137236	21546	Machine Balancer Auxiliary Cable com- plete for 146-33 Machine, Nos.137235 and two 124268.....
137239	21545B	Machine Balancer Cable Collar for 137157
137240	21545B	" " " Guide Roller for 137243.....
137241	21545B	Machine Balancer Cable Guide Roller Bracket for 137243.....
137242	21545B	Machine Balancer Cable Guide Roller Pin for 137243.....
137243	21545B	Machine Balancer Cable Guide Roller with Bracket complete for 137157, Nos. 137240 to 137242.....
137244	21545B	Machine Balancer Cable Protecting Hose and Bumper for 137157 (2).....
137245	21545B	Machine Balancer Cable Protecting Hose and Bumper Stop for 137157.....
137246	21545A	Machine Balancer Cable Stop Cam for 137157.....
137247	21545A	Machine Balancer Cable Stop Cam Plunger Spring for 137157.....
137248	21545A	Machine Balancer Cable Drum Brake (fibre) for 137157.....
137249	21545A	Machine Balancer Cable Drum Brake Ten- sion Spring for 137157.....
137250	21545A	Machine Balancer Cable Drum Cover for 137157.....
138849	21539	Tension (upper thread, automatic) Re- leasing Pin.....
140336C	21545B	Machine Balancer Cable Guide Roller Bracket Adjusting Screw for 137157 (2).....

NUMERICAL LIST OF PARTS

41

No.	Plate	Name
140337E	21545B	Machine Balancer Cable Guide Roller Bracket Cap Screw for 137157.....
140338C	21545A	Machine Balancer Cable Stop Cam Plunger Spring Adjusting Screw for 137157...
140339C	21545A	Machine Balancer Cable Drum Brake Ten- sion Spring Screw for 137157.....
140355E	21545A	Machine Balancer Cable Drum Cover Screw for 137157 (4).....
140356E	21545A	Machine Balancer Cable Drum Shaft Ad- justing Wheel Cover Screw for 137157 (3).....
140356E	21545A	Machine Balancer Frame Cover Screw for 137157 (6).....
145001	21545A	Machine Balancer Cable Drum Shaft Ad- justing Wheel for 137157.....
145002	21545A	Machine Balancer Cable Drum Shaft Ad- justing Wheel Thrust Bearing for 137157.....
145003	21545A	Machine Balancer Cable Drum Shaft Ad- justing Wheel Thrust Washer for 137157.....
145004	21545A	Machine Balancer Cable Drum Shaft Bear- ing for 137157.....
145005	21545A	Machine Balancer Main Spring with 145036 (No. "60" stamped on spring) for 137157 (2).....
145007	21545A	Machine Balancer Main Spring Safety Plunger (inside) Compression Spring for 137157.....
145007	21545B	Machine Balancer Main Spring Safety Plunger (outside) Compression Spring for 137157.....
145008	21545A	Machine Balancer Main Spring Safety Plunger (inside) Cushion Spring for 137157.....
145009	21545B	Machine Balancer Main Spring Safety Plunger (outside) Lock Ring for 137157.....
145010	21545A	Machine Balancer Swivel Stud Brake Spring for 137157.....
145011	-----	Throat Plate with 665J and 145012, for 137078, for single thread chain stitch, obsolete, superseded by 145015, not interchangeable.....
145012	21542	Throat Plate Thread Retainer for 145011 and 145015.....
145013	21536	Cloth Plate for 145014... ..
145014	21536	Cloth Plate complete, Nos. 49054, 59002, 137064, 145013 and two 226J.....
145015	21542	Throat Plate with 665J and 145012, for 137078, for single thread chain stitch, for three to six stitches to the inch.....

NUMERICAL LIST OF PARTS

No.	Plate	Name
145016	21541	Throat Plate for double thread chain stitch, for 137078, for three to six stitches to the inch.....
145017	21545A	Machine Balancer Cable Stop Cam Screw Stud for 137157.....
145018	21545A	Machine Balancer Cable Stop Cam Bushing for 145034.....
145019	21545B	Machine Balancer Main Spring Safety Plunger (outside) for 137157.....
145020	21545A	Machine Balancer Cable Stop Cam Plunger for 137157.....
145021	21545B	Machine Balancer Cable Clamp complete for 137157.....
145022	21545A	Machine Balancer Cable Drum for 137157..
145023	21545A	Machine Balancer Cable Drum Brake Housing for 137157.....
145024	21545A	Machine Balancer Cable Drum Shaft for 137157.....
145025	21545A	Machine Balancer Cable Drum Shaft Adjusting Wheel Cover for 137157.....
145026	21545A	Machine Balancer Cable Drum Shaft Adjusting Wheel Key for 137157.....
145027	21545B	Machine Balancer Cable Hook for 137157..
145028	21545A	" " " Stop Cam Plunger Spring Housing for 137157.....
145029	21545B	Machine Balancer Cable Stop Clamp (two pieces) for 145030.....
145030	21545B	Machine Balancer Cable Stop Clamp complete for 137157, Nos.145029 and two each 50807E, 51708E and 126150.....
145031	21545B	Machine Balancer Cable Thimble for 137157.....
145032	21545A	Machine Balancer Frame for 137157.....
145033	21545A	Machine Balancer Frame Cover for 145034.
145034	-----	" " " " 145033 with 145018, for 137157.....
145035	21545A	Machine Balancer Main Spring Adjusting Screw for 137157.....
145036	21545A	Machine Balancer Main Spring Keeper Ring for 145005 (2).....
145037	21545A	Machine Balancer Main Spring Keeper Ring Retainer Pin for 137157.....
145038	21545A	Machine Balancer Main Spring Plate for 137157.....
145039	21545A	Machine Balancer Main Spring Safety Lever for 137157.....
145040	21545A	Machine Balancer Main Spring Safety Lever Plate for 137157.....
145041	21545A	Machine Balancer Main Spring Safety Plunger (inside) for 137157.....
145042	21545A	Machine Balancer Main Spring Separating Ring for 137157.....

NUMERICAL LIST OF PARTS

43

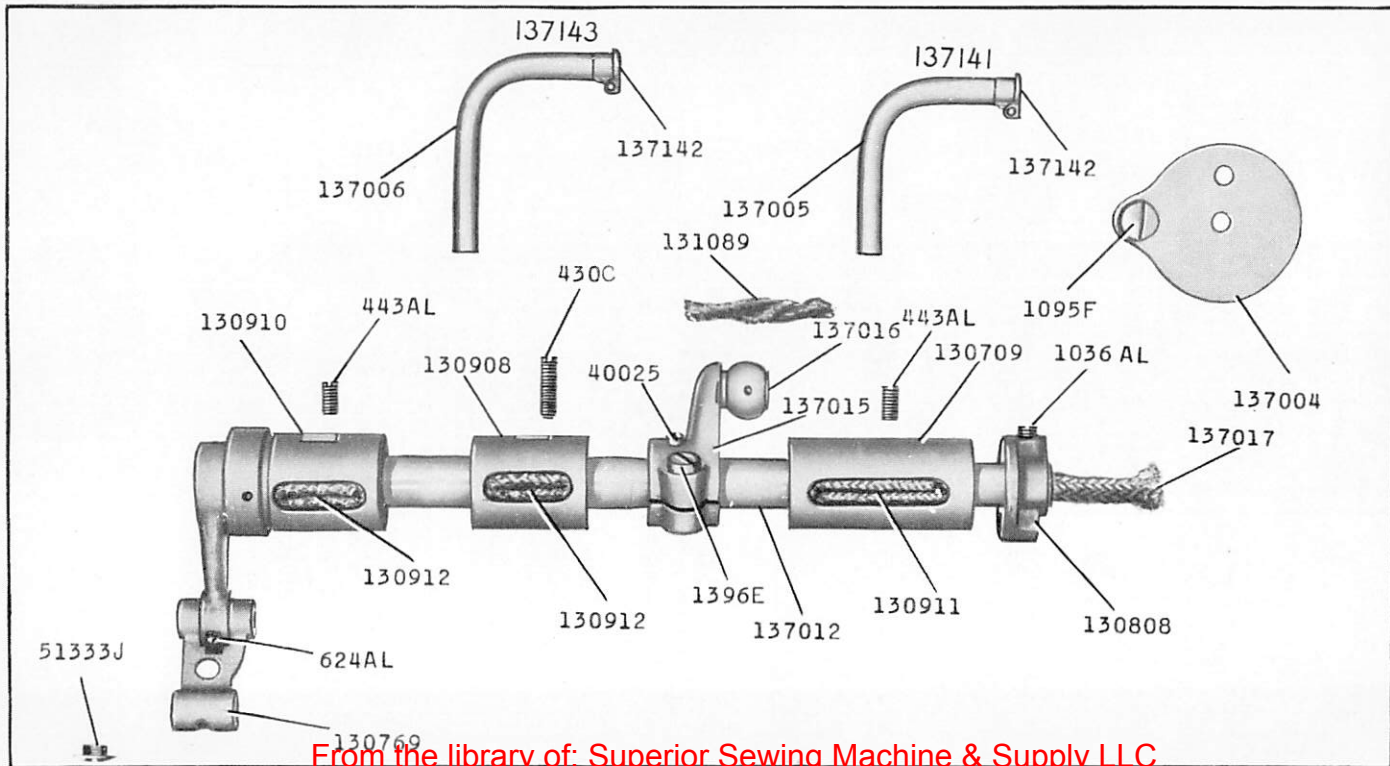
No.	Plate	Name
145043	21545A	Machine Balancer Main Spring Sleeve for 137157 (2).....
145044	21545B	Machine Balancer Safety Eyebolt for 137157.....
145045	21545A	Machine Balancer Suspension Hook for 145049.....
145046	21545A	Machine Balancer Suspension Hook Latch for 145049.....
145047	21545A	Machine Balancer Suspension Hook Latch Pin for 145049 (2).....
145048	21545A	Machine Balancer Suspension Hook Latch Spring for 145049.....
145049	21545A	Machine Balancer Suspension Hook complete for 137157, Nos.145045,145046, 145048 and two 145047.....
145050	21545A	Machine Balancer Swivel Stud for 137157.
145051	21545A	" " " " Ball Ring for 137157.....
145052	21545A	Machine Balancer Swivel Stud Brake (brass) for 137157.....
145053	21545A	Machine Balancer Swivel Stud Bushing for 137157.....
145054	21545A	Machine Balancer Swivel Stud Locking Pin (grooved) for 137157.....
150058	21549	Thread Unwinder Thread Separator with Bracket for 150061.....
150060	21549	Thread Unwinder Thread Separator Bracket Arm with 164J and 9525, for 150061..
150061	-----	Thread Unwinder Thread Separator complete for 150853, Nos. 164J, 9525, 150058 and 150060.....
150203	21548	Thread Unwinder Spool Rest Cushion (felt) for 124298 and 150853 (2)...
150853	21549	Thread Unwinder complete for two spools or two large cones of thread for 146-71 Machine, Nos. 150061,201696J, 202490,225257,225324,225326,225388, two each 150203, 225391 and three wood screws 7/8 in. No. 12.....
200383C	21549	Thread Unwinder Spool Rest Rod Set Screw for 202490.....
200584D	21535	Pulley (loose) Oil Plug Screw for 137131
201018C	21548	Thread Unwinder Spool Rest Set Screw for 225257.....
201696J	21548	Thread Unwinder Thread Guide Lock Nut for 124298 and 150853.....
202490	21549	Thread Unwinder Spool Stand with 200383C, for 150853.....
225257	21548	Thread Unwinder Spool Rest with 201018C, for 124298 and 150853.....
225322	21548	Thread Unwinder Thread Guide Rod Washer for 225324.....

NUMERICAL LIST OF PARTS

No.	Plate	Name
225324	21548	Thread Unwinder Thread Guide Rod with 208AL and 225322, for 124298 and 150853.....
225326	21548	Thread Unwinder Thread Guide Position Cup for 124298 and 150853.....
225388	21549	Thread Unwinder Spool Rest Rod for 150853.....
225390	21549	Thread Unwinder Thread Cone Holder for inverted cones for 150853.....
225391	21548	Thread Unwinder Thread Guide for 124298 and 150853 (2).....
701481	21545B	Machine Balancer Safety Eyebolt Lock Washer for 137157.....
898622	21543	Machine Counterbalance Cable Sheave Grease Cup for 124287.....

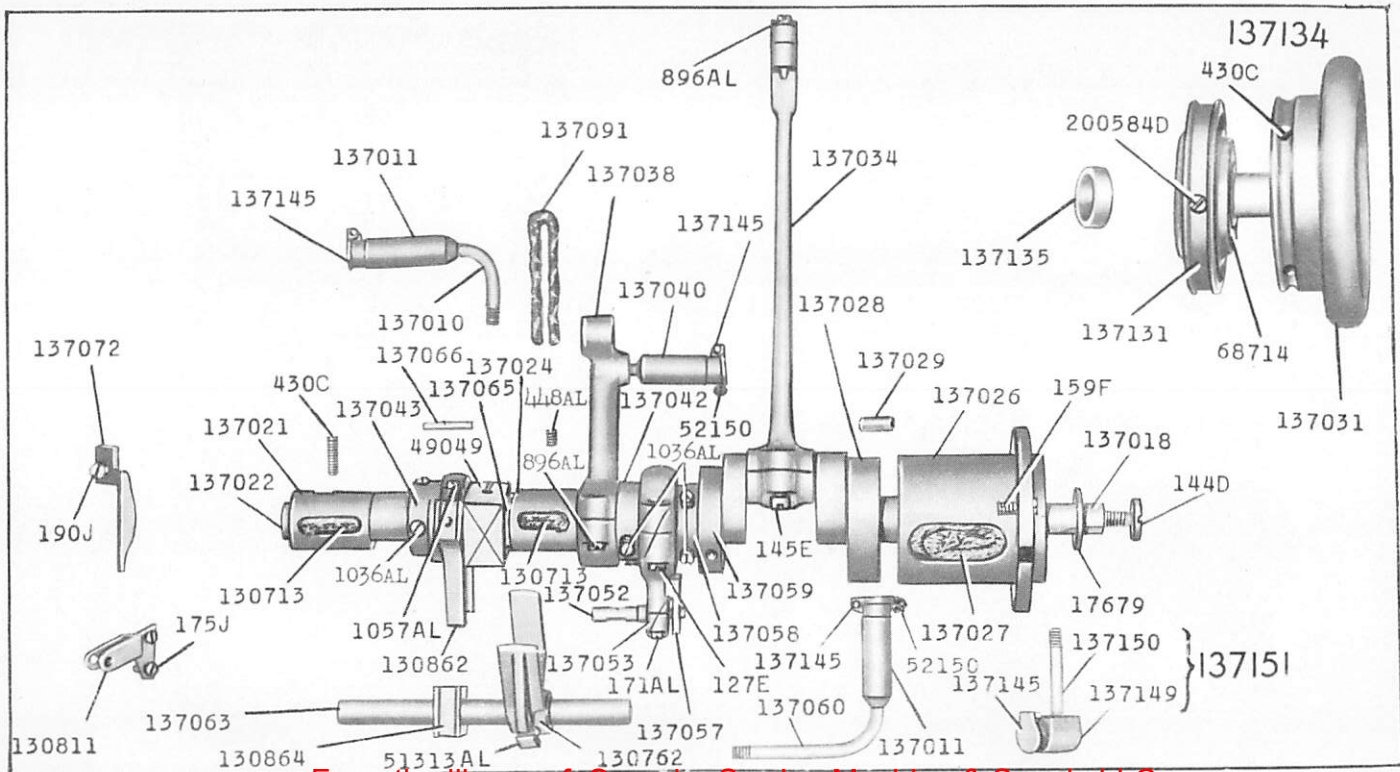
SINGER Needles should be used
 in **SINGER** Machines.
 These Needles and their Containers
 are marked with the
 Company's Trade-Mark "**SIMANCO**,**" 1

Needles in Containers marked
 "**FOR SINGER MACHINES**"
 are NOT **SINGER** made needles. 2



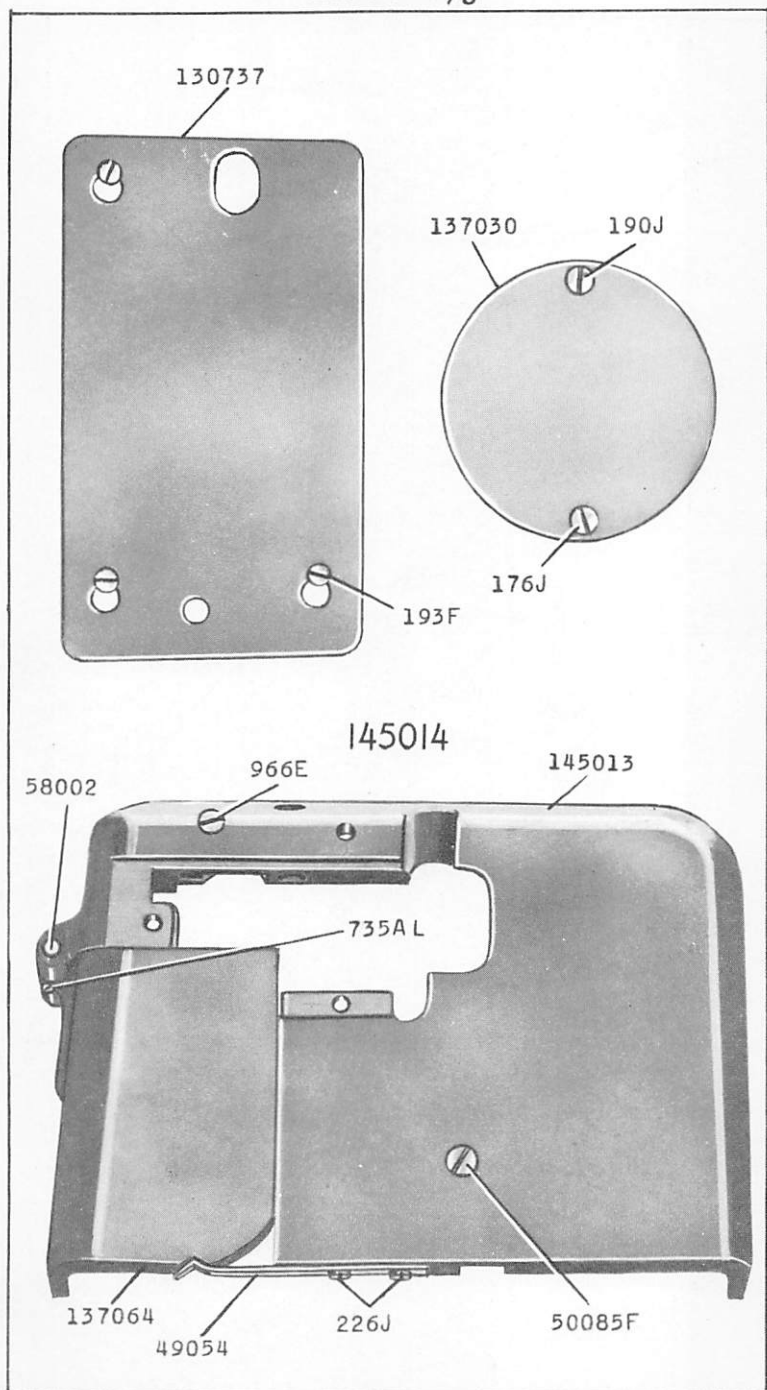
21534 - 1/2

From the library of: Superior Sewing Machine & Supply LLC

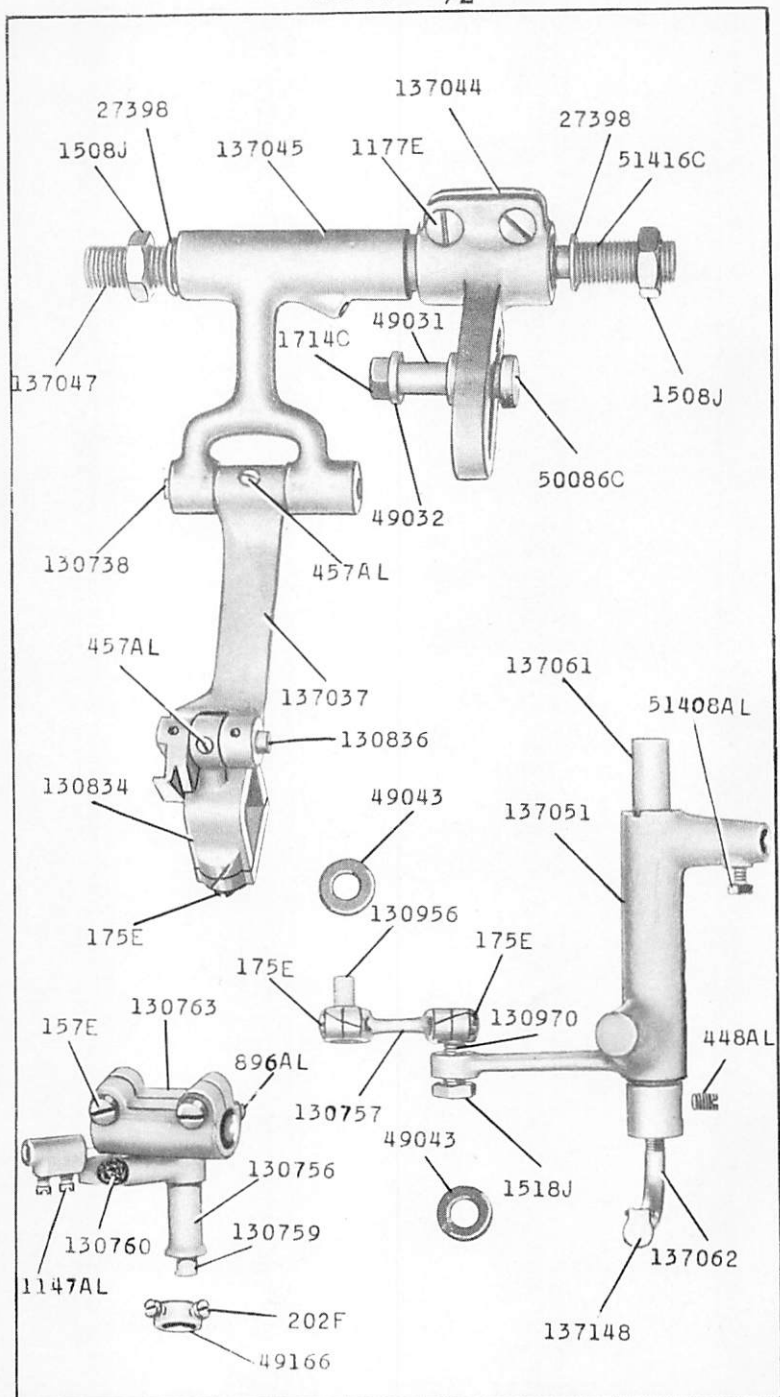


21535 - 1/3

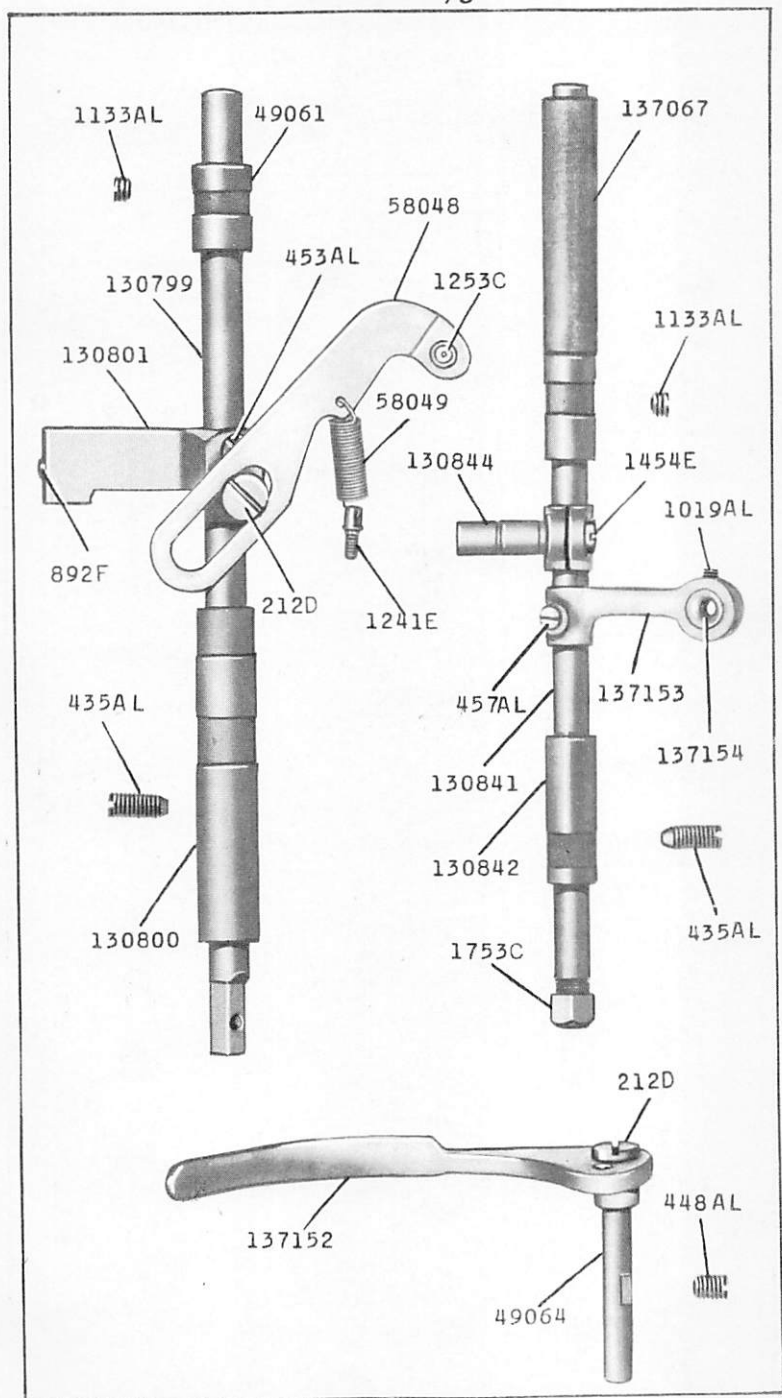
21536 - 1/3

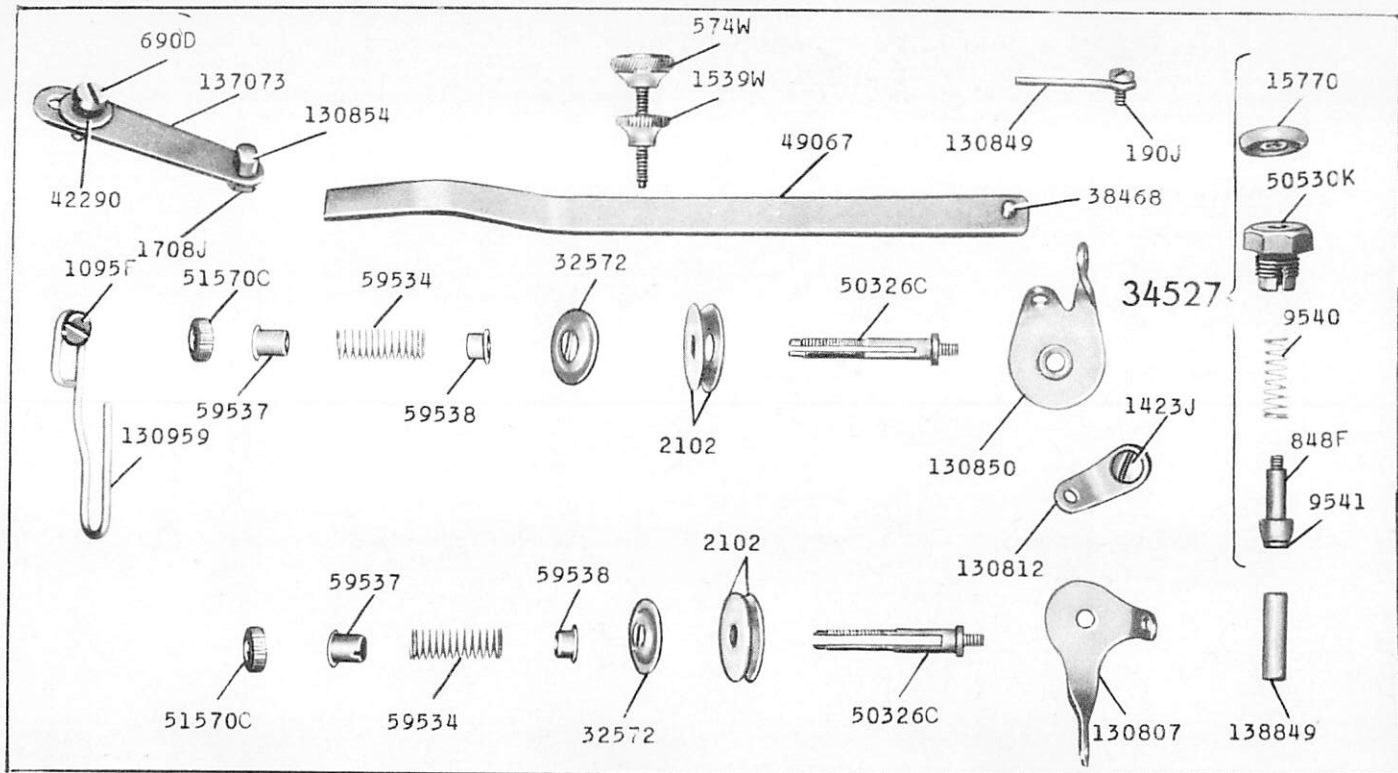


21537 - 1/2

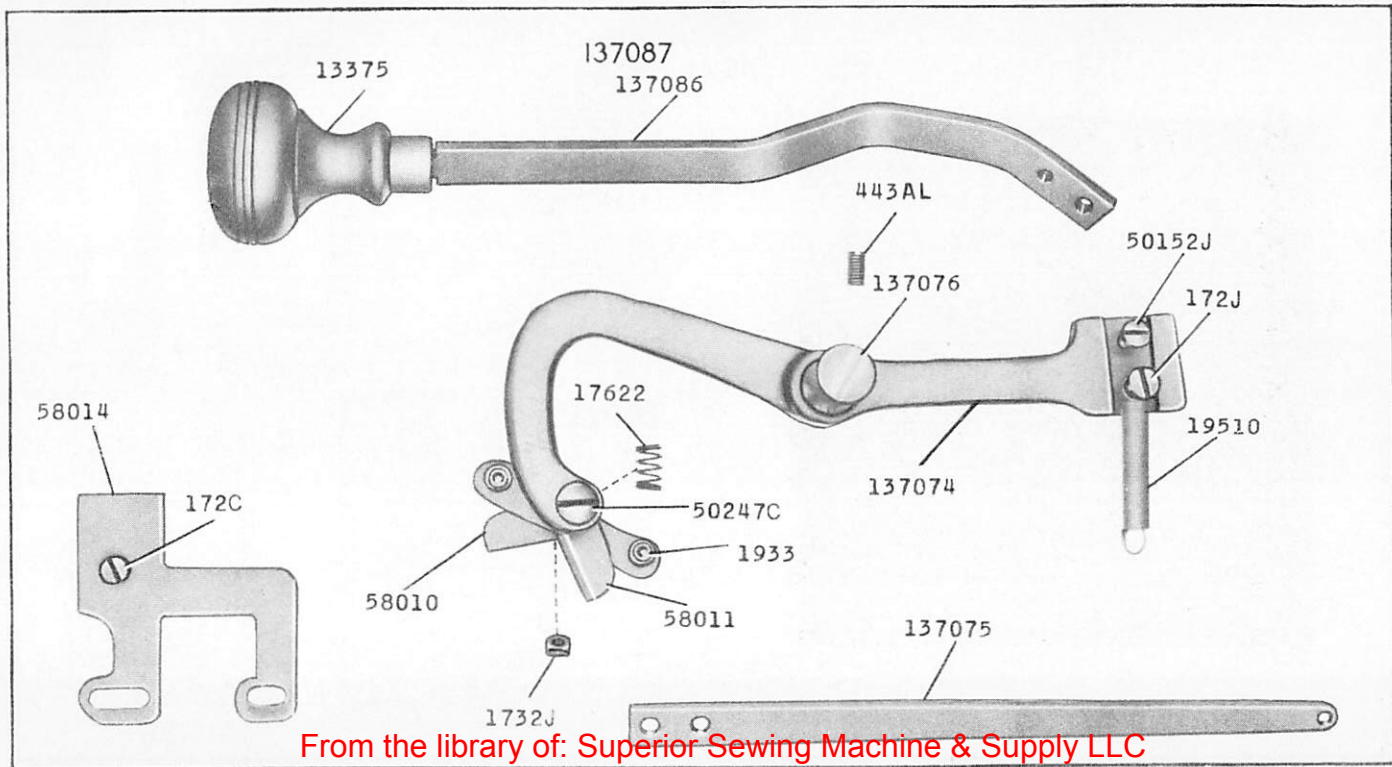


21538 - 2/3



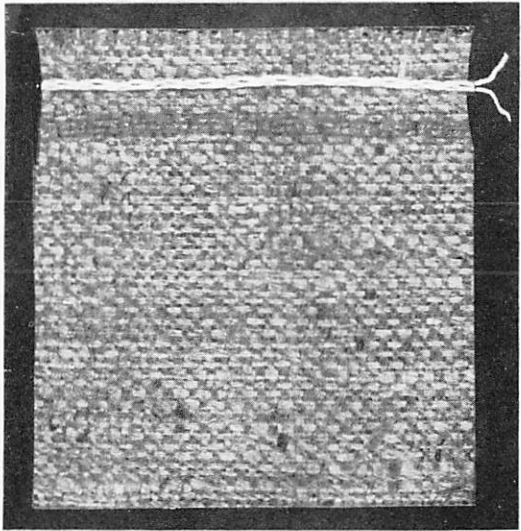
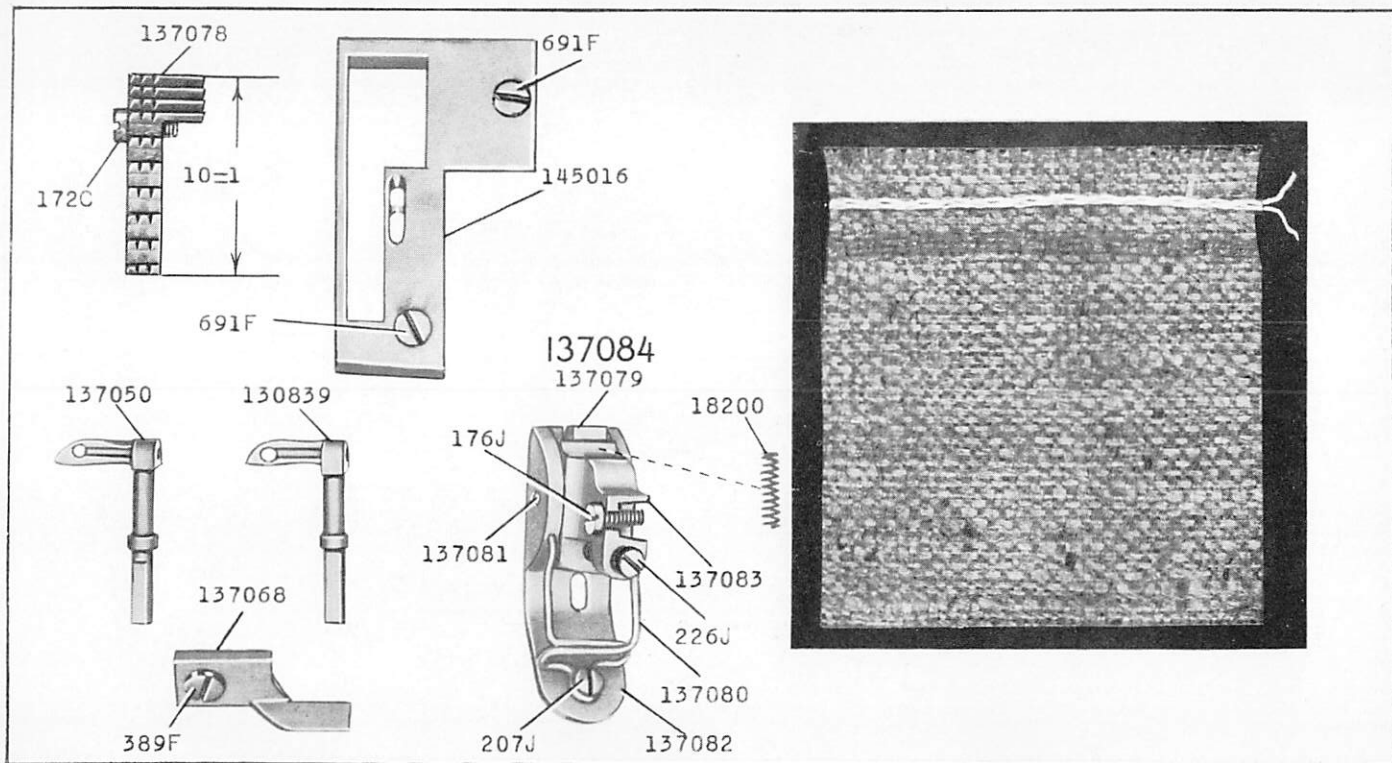


From the library of: Superior Sewing Machine & Supply LLC

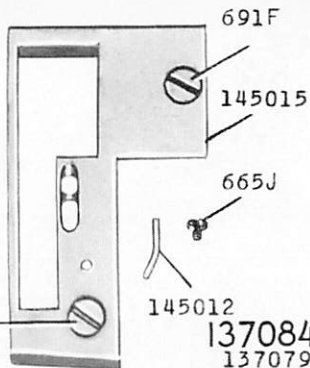
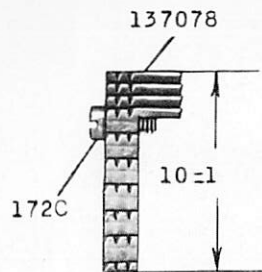


From the library of: Superior Sewing Machine & Supply LLC

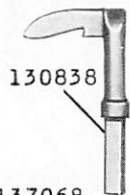
21540 - 1/2



From the library of: Superior Sewing Machine & Supply LLC

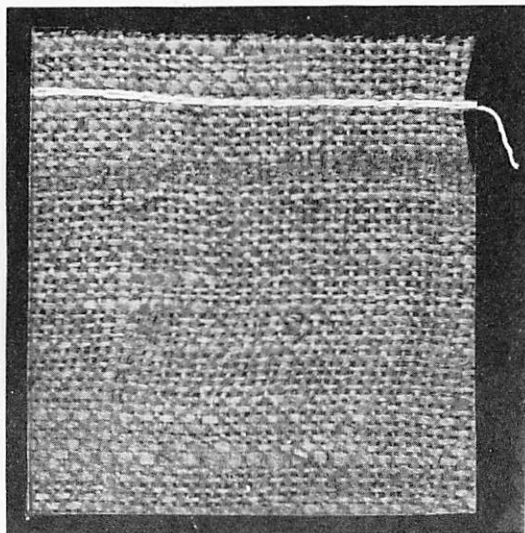
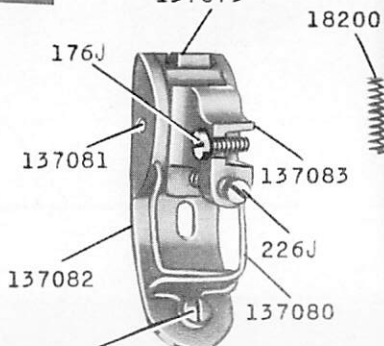


691F
137084
137079



137068

389F



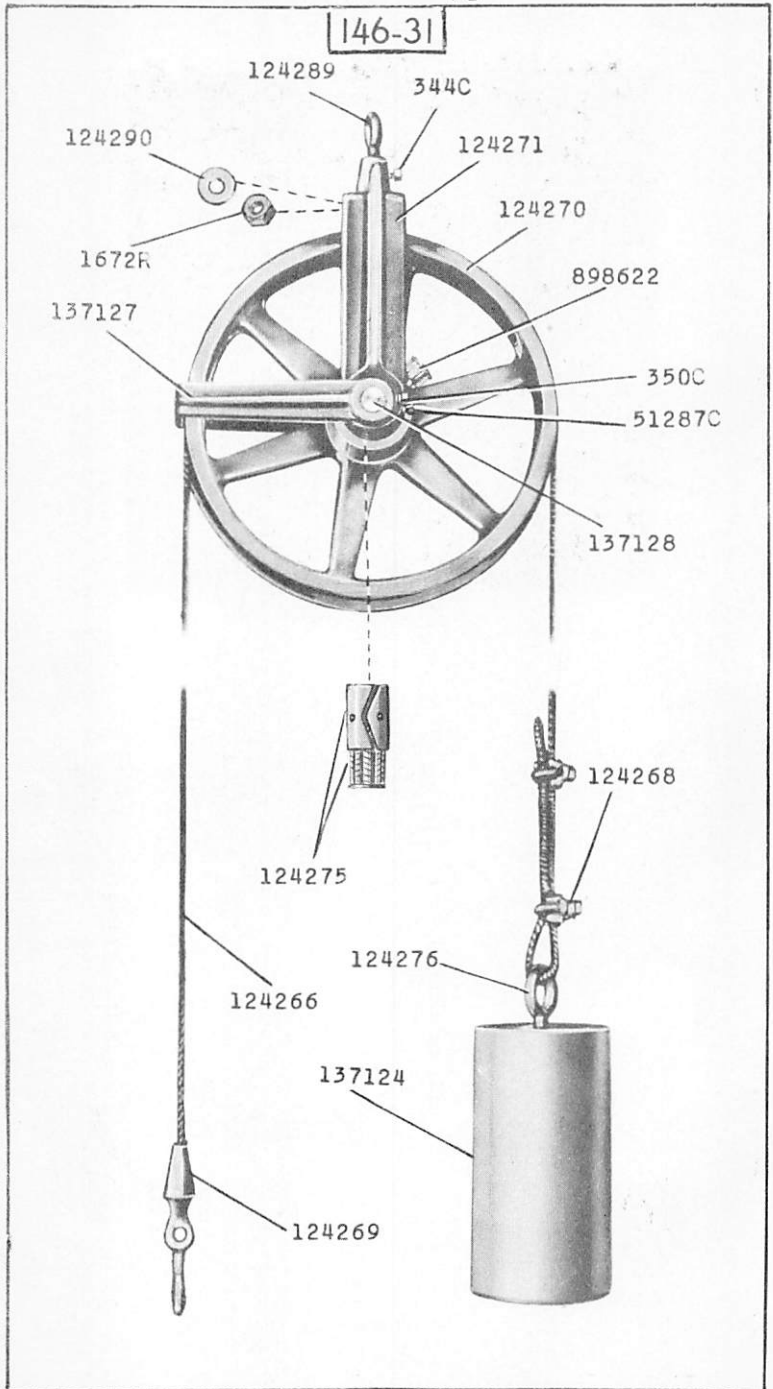
146-71

21542 - 2/3

From the library of: Superior Sewing Machine & Supply LLC

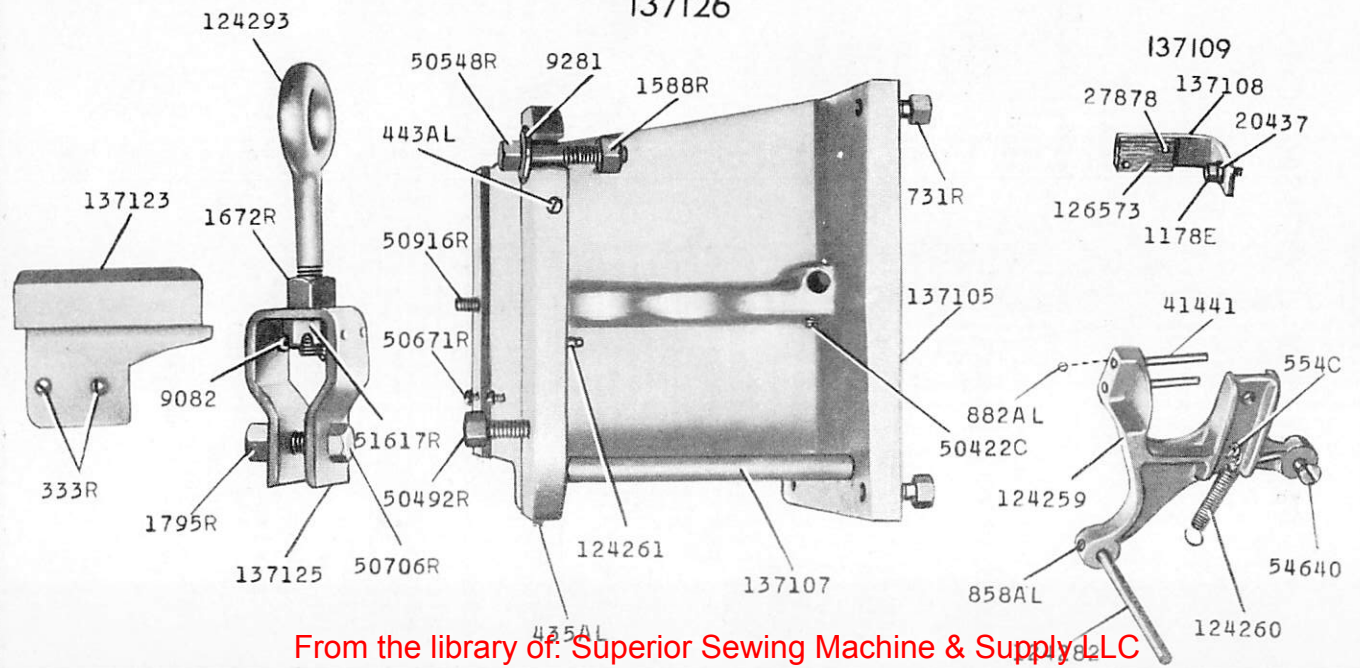
21543 - 1/8

146-31



146-31, 146-33

137126



21544 - 1/4

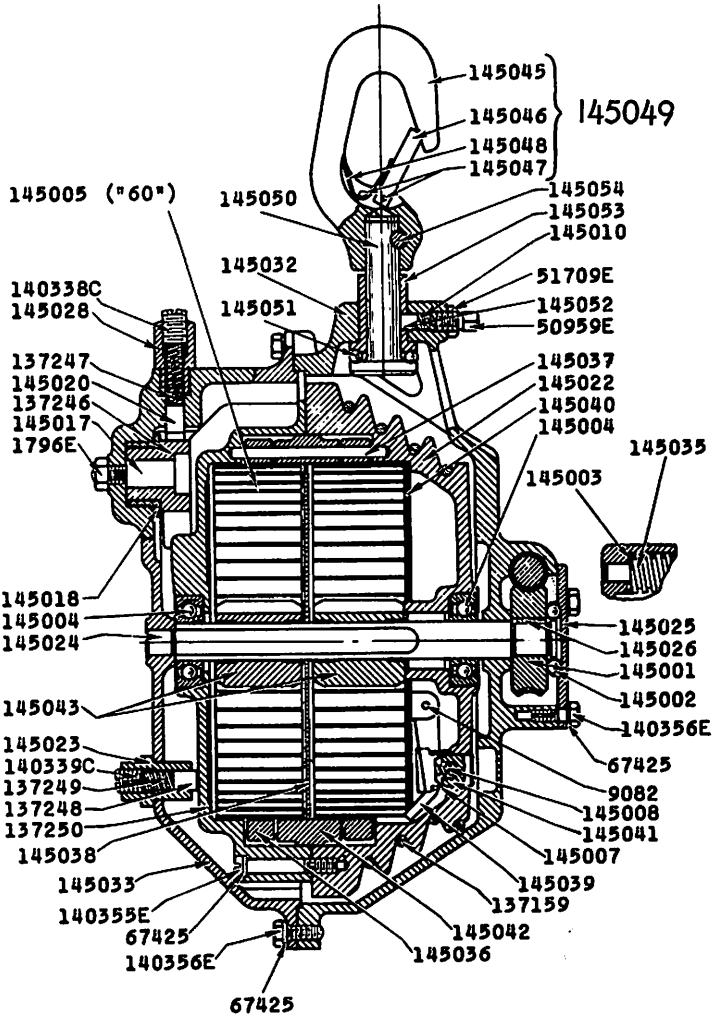
From the library of: Superior Sewing Machine & Supply, LLC

21545A

146-33

FRONT VIEW - CROSS SECTION

137157

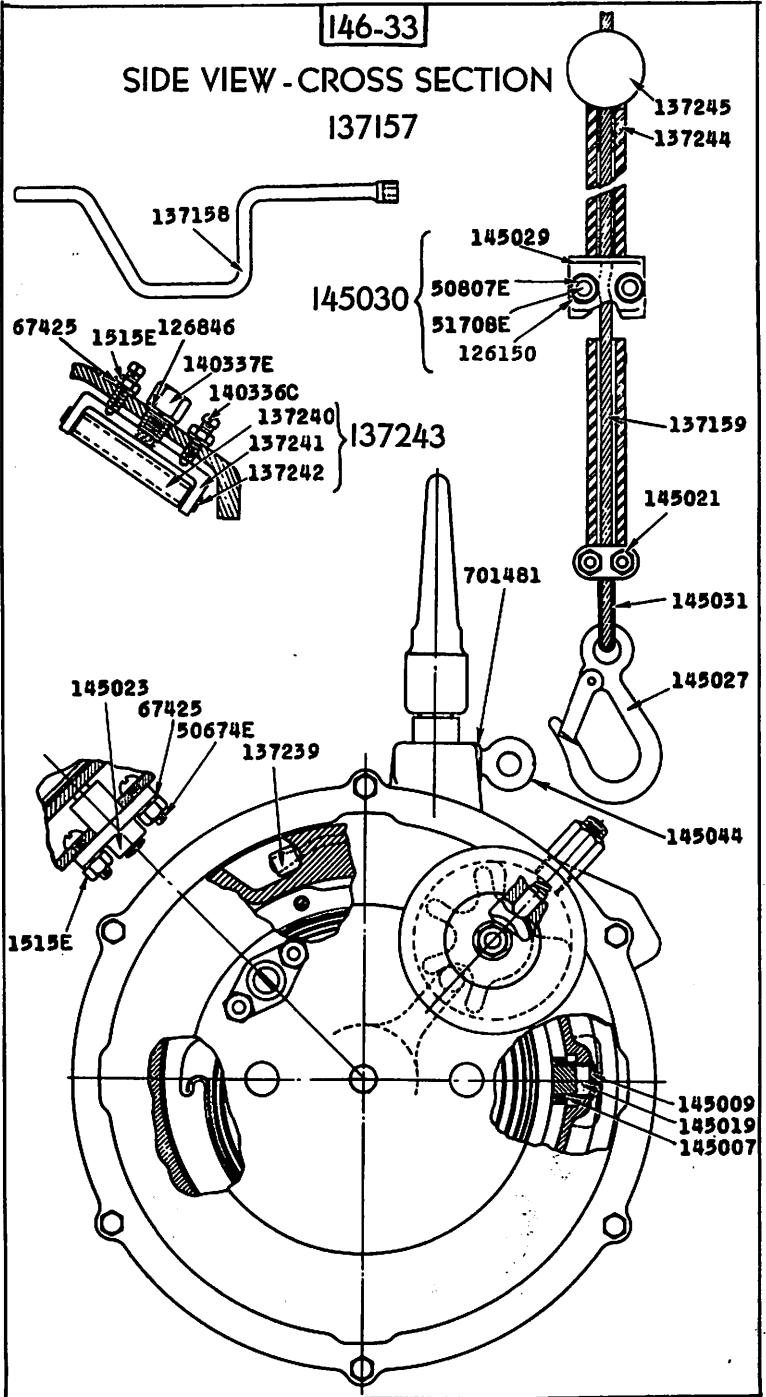


21545B

146-33

SIDE VIEW - CROSS SECTION

137157



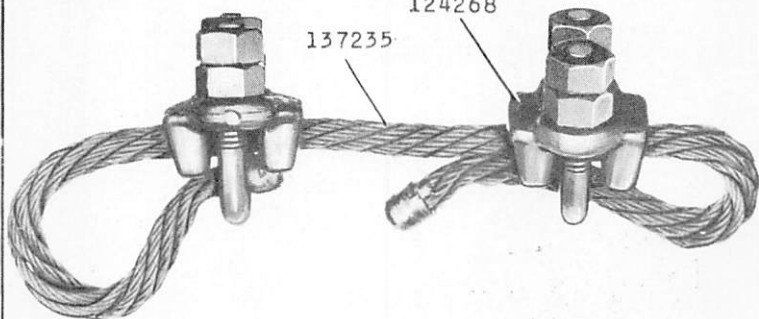
21546 - 1/2

146-33

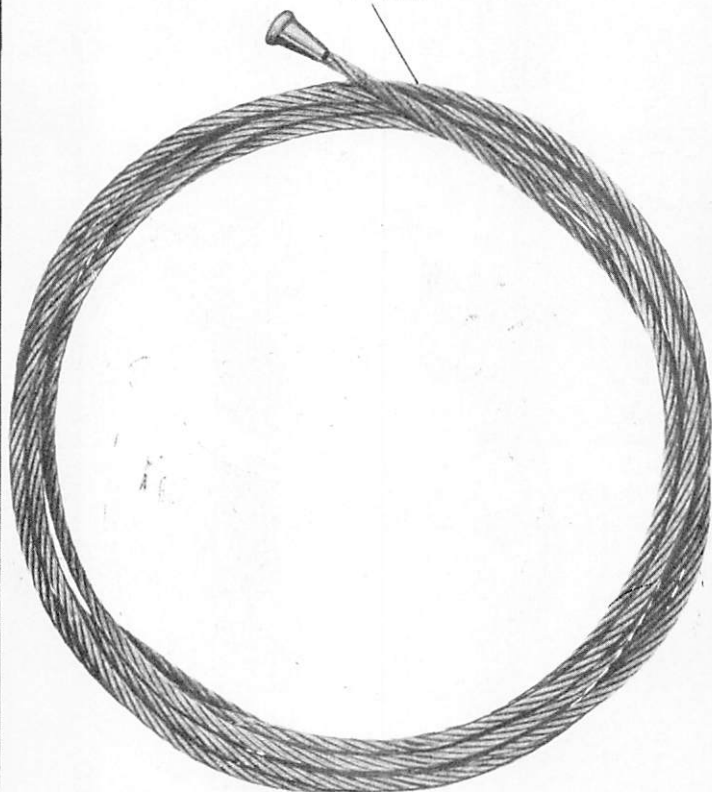
137236

124268

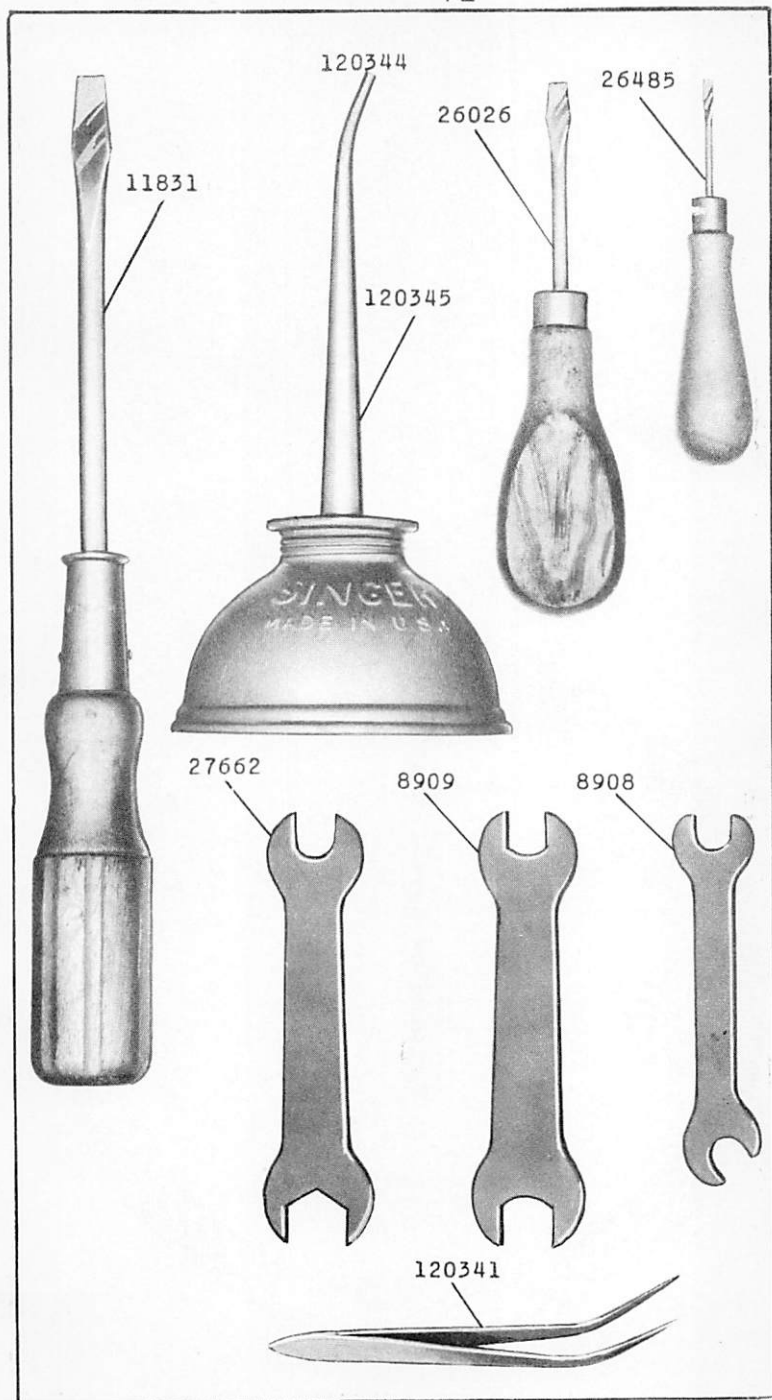
137235

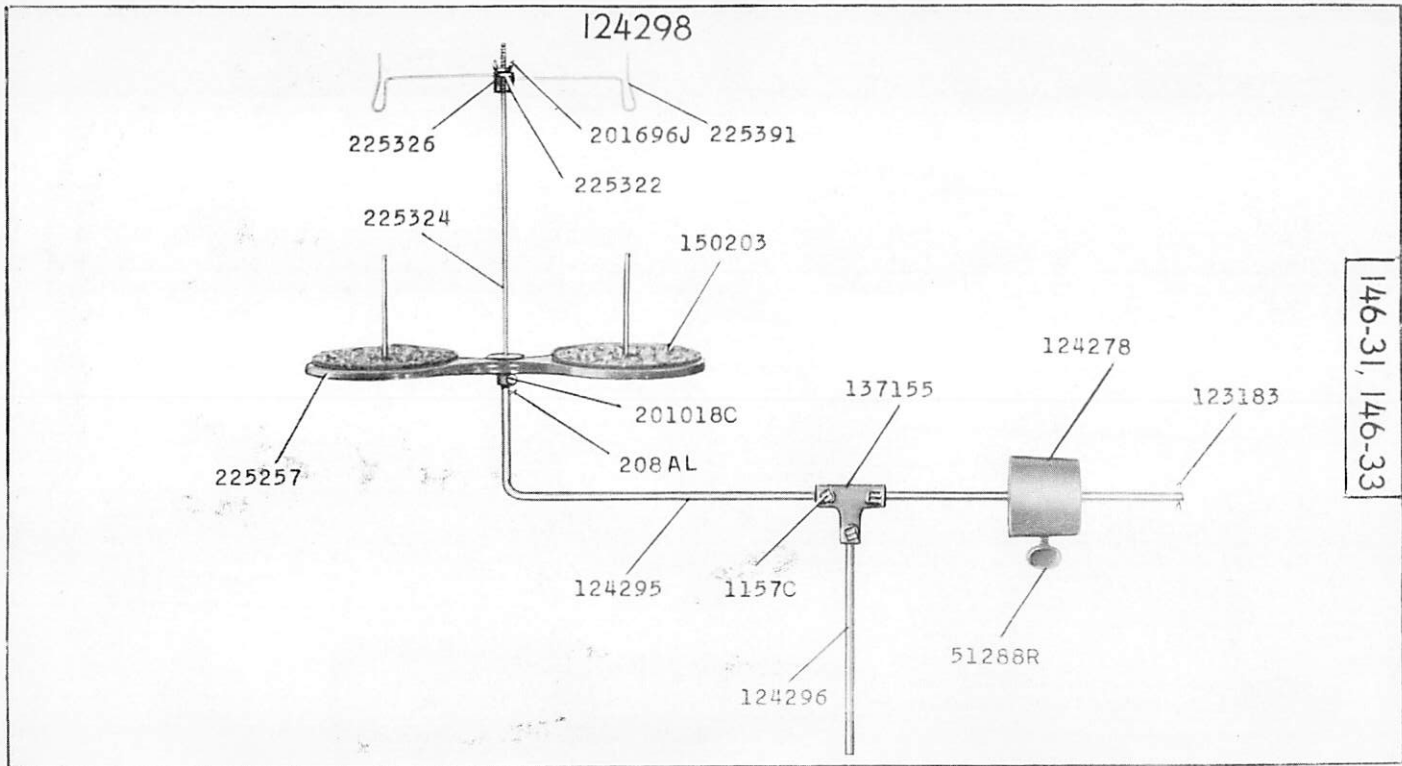


137159



21547 - 1/2

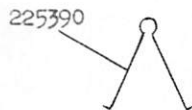
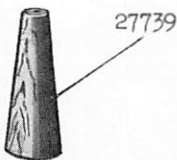
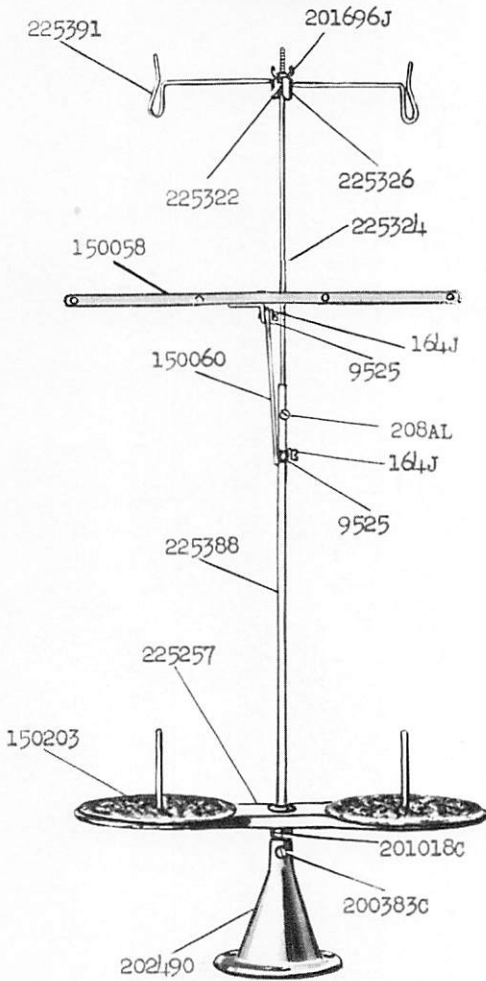




From the library of: Superior Sewing Machine & Supply LLC

21549 - 1/6

150853



146-71

SINGER Needles should be used
in SINGER Machines.
These Needles and their Containers
are marked with the
Company's Trade-Mark "SIMANCO.***" 1

Needles in Containers marked
"FOR SINGER MACHINES"
are NOT **SINGER** made needles. 2

